

PRODUCT DATA SHEET



PRODUCT CODE

PRO120WNBZ

RANGE

MPRO

DESCRIPTION

MPRO Basin 2 Hole Set Brushed Bronze

WEBSITE LINK

[Click Here](#)

CATEGORY	Brassware
WARRANTY DETAILS	15 Years
COLOUR	Brushed Bronze
FINISH APPLICATION	PVD
PRIMARY MATERIAL	Brass
INSTALL TYPE	Wall Mounted
PRODUCT WIDTH MM	160
PRODUCT HEIGHT MM	60
PRODUCT LENGTH MM	229
PRODUCT DEPTH MM	291
PRODUCT NET WEIGHT KG	2.08
MINIMUM PRESSURE (BAR)	0.5
MAX WORKING PRESSURE (BAR)	6

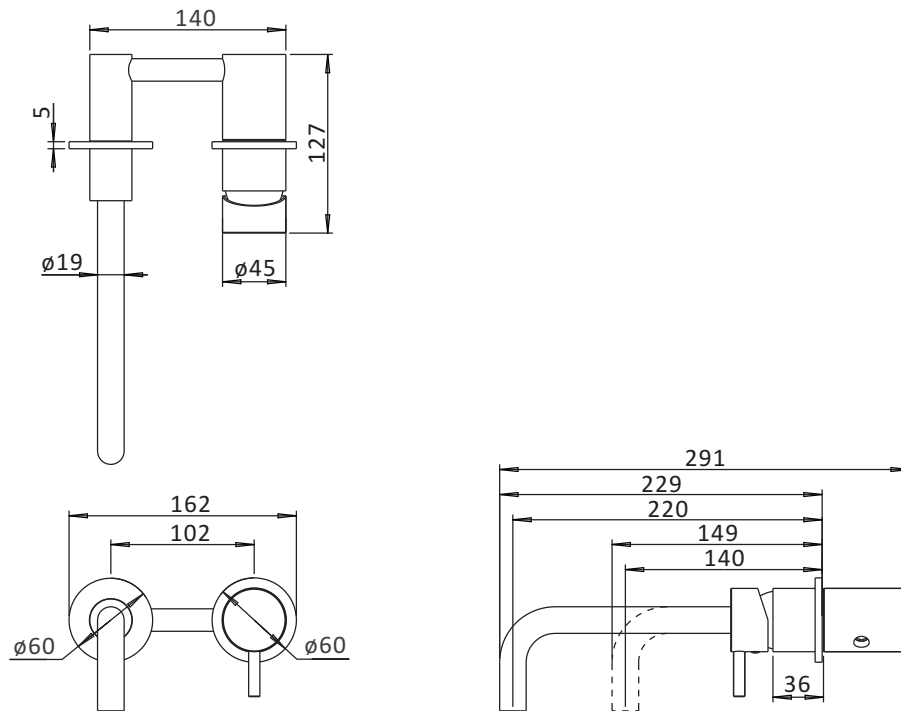
STANDARDS	BS EN 200:2008, BS EN 817:2008
APPROVAL	WRAS - 2401904
NUMBER OF OUTLETS	1
NUMBER OF FUNCTIONS	1
HEADWORK	35mm Single lever ceramic cartridge
SPOUT PROJECTION	140 or 220
SWIVEL SPOUT	No
INLET CONNECTIONS THREAD	G1/2"
OUTLET CONNECTIONS THREAD	M16.5x1
WASTE INCLUDED	No
ANTI-SCALD	No
ENERGY SAVING	Yes

PRESSURE (BAR)	0.2	0.5	1	2	3	4	5
PRIMARY FLOWRATE		3.4	4.4	5.63	4.95	4.51	4.74
HANDSET FLOWRATE							
MASSAGE FLOW RATE							
AIR FLOW RATE							
WIRE FLOW RATE							
WATERFALL FLOW RATE							
MIST FLOW RATE							
HANDSPRAY FLOW RATE							

TECHNICAL DIMENSIONS

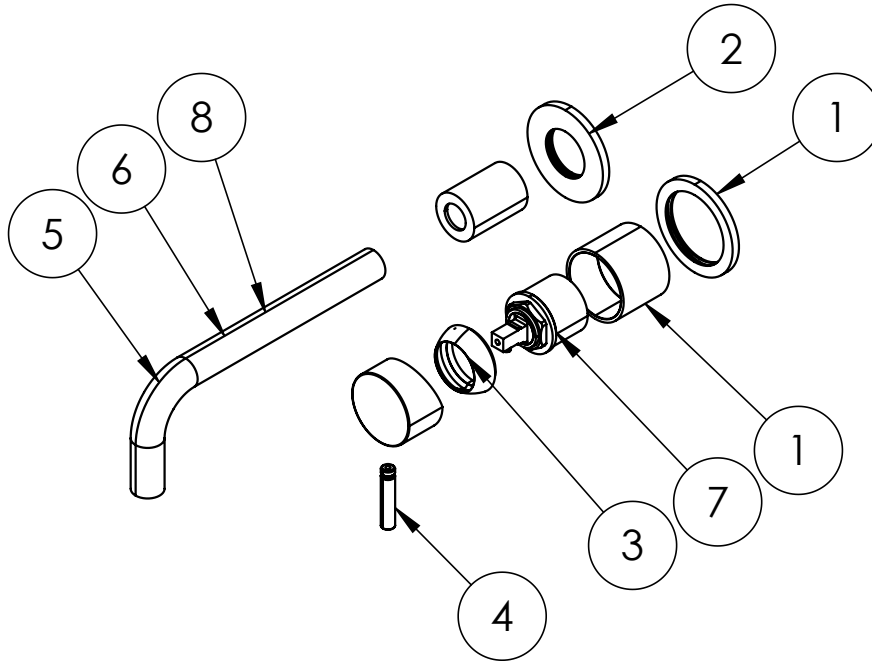
Dimensions in mm unless otherwise specified.

Tolerances (per material type) apply.



SPARES LIST

Only the parts labelled are available as spares.



NUMBER	PART CODE	DESCRIPTION
1	ZOT419C-2T	PRO120WNT Wall Flange
	ZOT419C-2BZ	PRO120WNBZ Wall Flange
2	PRO120WSHROUDBZ	PRO120WNBZ Wall Shroud Chrome
3	PRO120CARTCOVERT	PRO120 Cartridge Cover & Collar Slate
	PRO120CARTCOVERBZ	PRO120 Cartridge Cover & Collar Brushed Bronze
4	PRO120LEVERT	PRO120 Lever Slate
	PRO120LEVERBZ	PRO120 Lever Brushed Bronze
5	PRO120SPOUT220T	PRO120 220mm Spout Slate
	PRO120SPOUT220BZ	PRO120 220mm Spout Brushed Bronze
6	PRO120SPOUT140T	PRO120 140mm Spout Slate
	PRO120SPOUT140BZ	PRO120 140mm Spout Brushed Bronze
7	X1A030N	Basin Cartridge PRO120/WP120/DE110
8	S2T363C-2T	PRO130WNT Spout
	S2T363C-2BZ	PRO130WNBZ Spout