

PRODUCT DATA SHEET



PRODUCT CODE

PRO135DNF

RANGE

MPRO

DESCRIPTION

MPRO Basin 3 Hole Set Brushed Brass

WEBSITE LINK

[Click Here](#)

| | |
|----------------------------|---------------|
| CATEGORY | Brassware |
| WARRANTY DETAILS | 15 Years |
| COLOUR | Brushed Brass |
| FINISH APPLICATION | PVD |
| PRIMARY MATERIAL | Brass |
| INSTALL TYPE | Deck Mounted |
| PRODUCT WIDTH MM | 250 |
| PRODUCT HEIGHT MM | 187 |
| PRODUCT LENGTH MM | 170 |
| PRODUCT DEPTH MM | 171 |
| PRODUCT NET WEIGHT KG | 2.8 |
| MINIMUM PRESSURE (BAR) | 0.5 |
| MAX WORKING PRESSURE (BAR) | 6 |

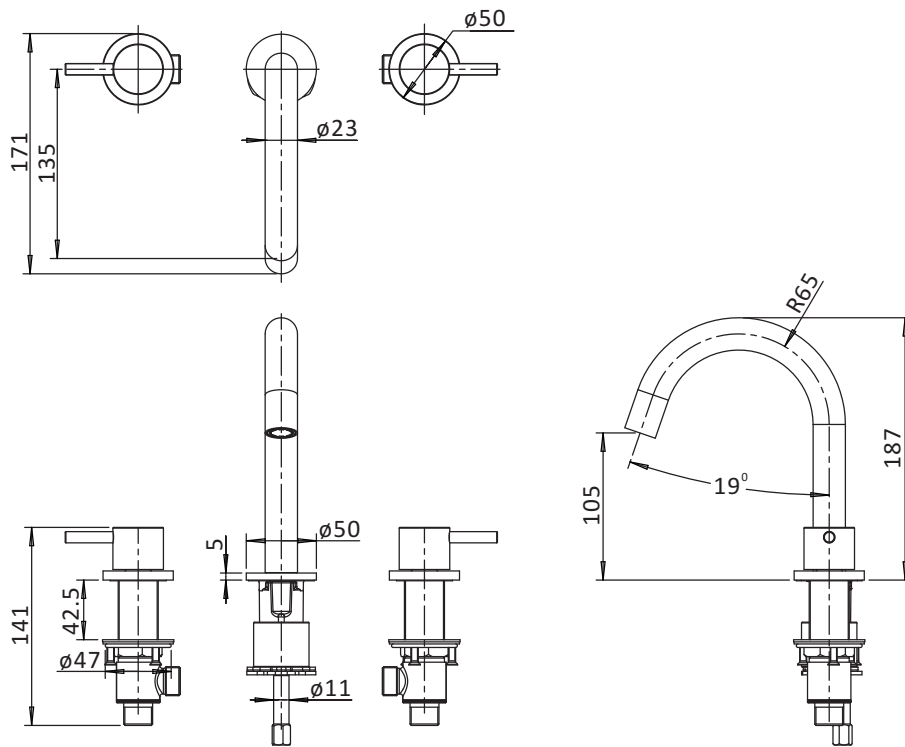
| | |
|---------------------------|-------------------------------------|
| STANDARDS | BS EN 200:2008, BS EN 817:2008 |
| APPROVAL | KIWA - 2402739 |
| NUMBER OF OUTLETS | 1 |
| NUMBER OF FUNCTIONS | 1 |
| HEADWORK | 1/2" Quarter turn ceramic cartridge |
| SPOUT PROJECTION | 135 |
| SWIVEL SPOUT | Yes |
| INLET CONNECTIONS THREAD | G1/2" |
| OUTLET CONNECTIONS THREAD | M16.5x1 |
| WASTE INCLUDED | No |
| ANTI-SCALD | No |
| ENERGY SAVING | Yes |

| PRESSURE (BAR) | 0.2 | 0.5 | 1 | 2 | 3 | 4 | 5 |
|---------------------|-----|------|-----|------|------|------|------|
| PRIMARY FLOWRATE | | 3.37 | 4.4 | 5.29 | 4.59 | 4.58 | 4.51 |
| HANDSET FLOWRATE | | | | | | | |
| MASSAGE FLOW RATE | | | | | | | |
| AIR FLOW RATE | | | | | | | |
| WIRE FLOW RATE | | | | | | | |
| WATERFALL FLOW RATE | | | | | | | |
| MIST FLOW RATE | | | | | | | |
| HANDSPRAY FLOW RATE | | | | | | | |

TECHNICAL DIMENSIONS

Dimensions in mm unless otherwise specified.

Tolerances (per material type) apply.



SPARES LIST

Only the parts labelled are available as spares.

SPARES AVAILABLE UPON REQUEST