

PRODUCT DATA SHEET



PRODUCT CODE

PRO945F

RANGE

Douches

DESCRIPTION

MPRO Integrated Douche Valve, Handset & Holder Brushed Brass

CATEGORY	Brassware
WARRANTY DETAILS	15 Years
COLOUR	Brushed Brass
FINISH APPLICATION	PVD
PRIMARY MATERIAL	Brass
INSTALL TYPE	Wall Mounted
PRODUCT WIDTH MM	70
PRODUCT HEIGHT MM	168
PRODUCT LENGTH MM	135.8
PRODUCT NET WEIGHT KG	0.01
MINIMUM PRESSURE (BAR)	0.5
MAX WORKING PRESSURE (BAR)	5

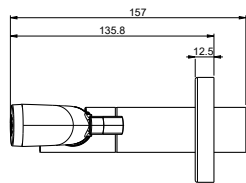
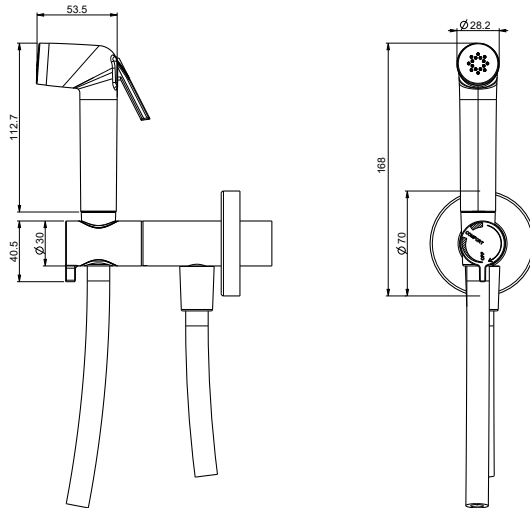
NUMBER OF OUTLETS	1
NUMBER OF FUNCTIONS	1
INLET CONNECTIONS THREAD	G1/2"
OUTLET CONNECTIONS THREAD	G1/2"

PRESSURE (BAR)	0.2	0.5	1	2	3	4	5
PRIMARY FLOWRATE			12.5	17	20.6	23.3	25.5
HANDSET FLOWRATE							
MASSAGE FLOW RATE							
AIR FLOW RATE							
WIRE FLOW RATE							
WATERFALL FLOW RATE							
MIST FLOW RATE							
HANDSPRAY FLOW RATE							

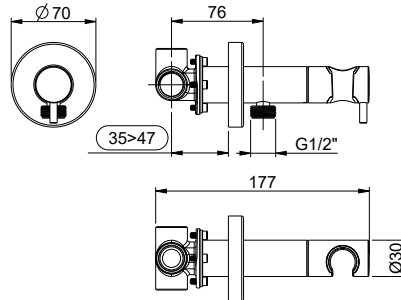
TECHNICAL DIMENSIONS

Dimensions in mm unless otherwise specified.

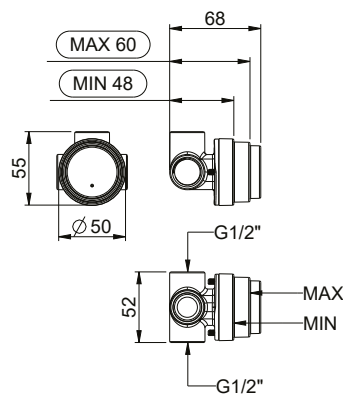
Tolerances (per material type) apply.



aesthetics



built-in component



SPARES LIST

Only the parts labelled are available as spares.

NUMBER	PART CODE	DESCRIPTION
1	C1840020000ZZ	PRO945 Cartridge
2	E1340040000SC	PRO945F Concealed Part
3	E082110282HESC	Douche Handset for PRO945 F finish