

PRODUCT DATA SHEET



PRODUCT CODE

PRO945V

RANGE

Douches

DESCRIPTION

MPRO Integrated Douche Valve, Handset & Holder Brushed Nickel

WEBSITE LINK

[Click Here](#)

CATEGORY	Brassware
WARRANTY DETAILS	15 Years
COLOUR	Brushed Nickel
FINISH APPLICATION	Immersion Plating
PRIMARY MATERIAL	Brass
INSTALL TYPE	Wall Mounted
PRODUCT WIDTH MM	150
PRODUCT HEIGHT MM	70
PRODUCT LENGTH MM	150
PRODUCT NET WEIGHT KG	0.01
MINIMUM PRESSURE (BAR)	0.5
MAX WORKING PRESSURE (BAR)	5

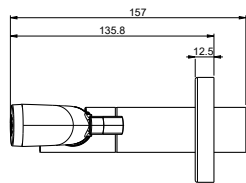
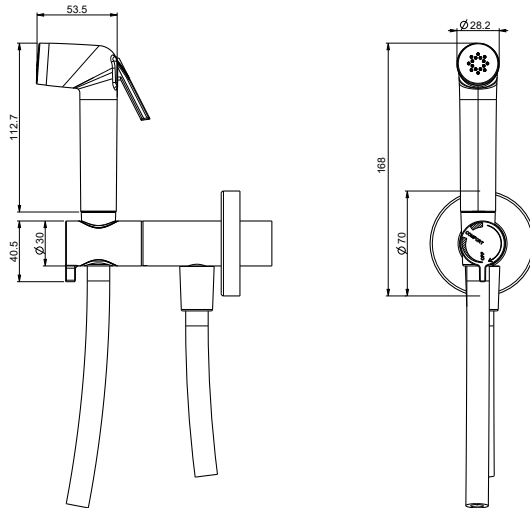
NUMBER OF OUTLETS	1
NUMBER OF FUNCTIONS	1
INLET CONNECTIONS THREAD	G1/2"
OUTLET CONNECTIONS THREAD	G1/2"

PRESSURE (BAR)	0.2	0.5	1	2	3	4	5
PRIMARY FLOWRATE			12.5	17	20.6	23.3	25.5
HANDSET FLOWRATE							
MASSAGE FLOW RATE							
AIR FLOW RATE							
WIRE FLOW RATE							
WATERFALL FLOW RATE							
MIST FLOW RATE							
HANDSPRAY FLOW RATE							

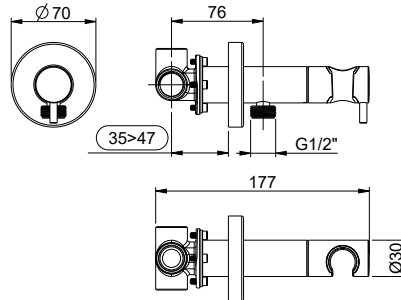
TECHNICAL DIMENSIONS

Dimensions in mm unless otherwise specified.

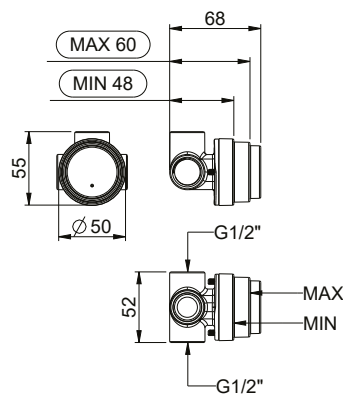
Tolerances (per material type) apply.



aesthetics



built-in component



SPARES LIST

Only the parts labelled are available as spares.

SPARES AVAILABLE UPON REQUEST