

PRODUCT DATA SHEET



PRODUCT CODE

PRO963V

RANGE

MPRO

DESCRIPTION

MPRO Shower Kit & Wall Outlet
Brushed Nickel

WEBSITE LINK

[Click Here](#)

CATEGORY	Brassware
WARRANTY DETAILS	15 Years
COLOUR	Brushed Nickel
FINISH APPLICATION	PVD
PRIMARY MATERIAL	Brass
INSTALL TYPE	Wall Mounted
PRODUCT WIDTH MM	50
PRODUCT HEIGHT MM	988.5
PRODUCT LENGTH MM	77
PRODUCT NET WEIGHT KG	1
MINIMUM PRESSURE (BAR)	0.5
MAX WORKING PRESSURE (BAR)	5

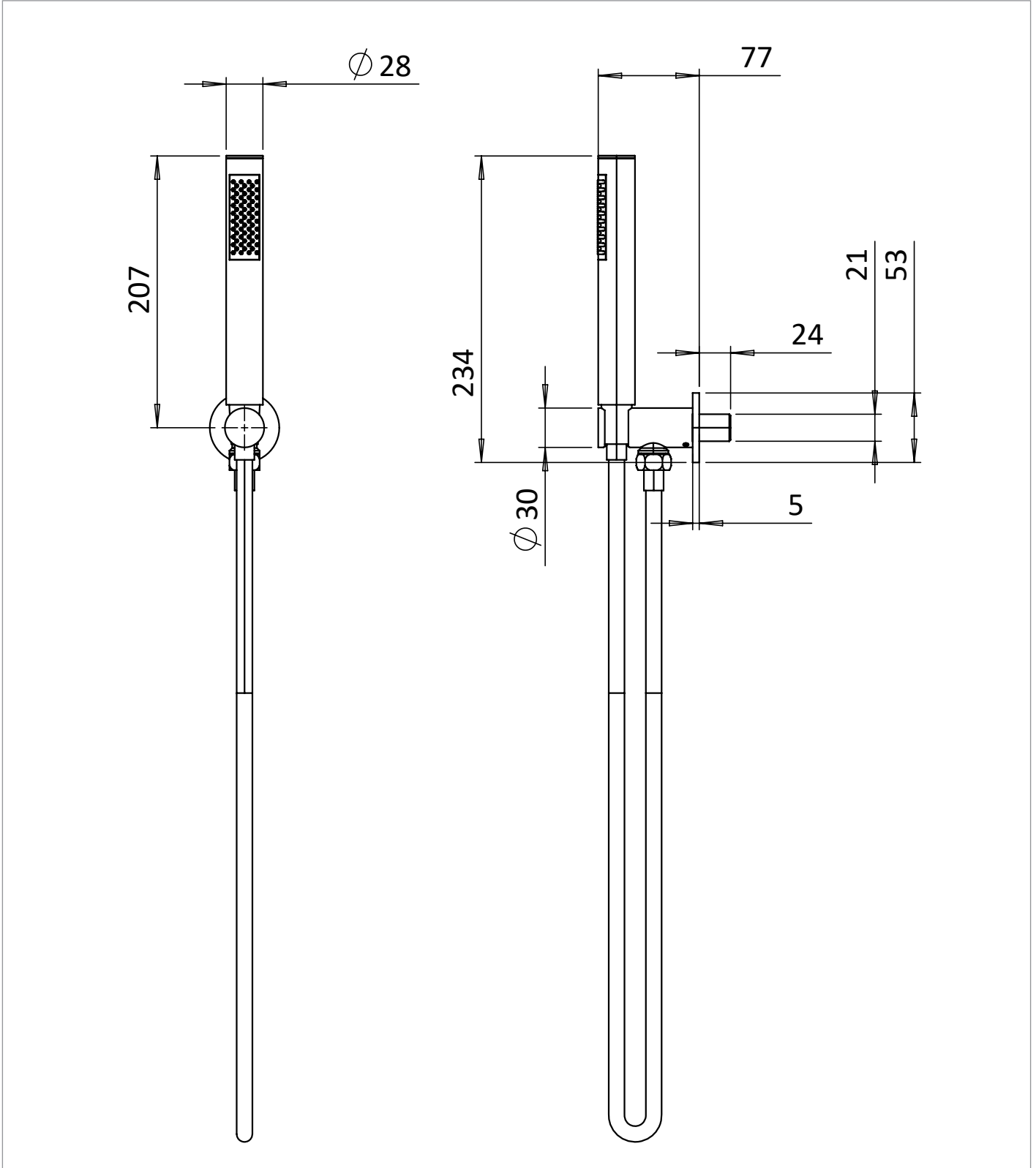
APPROVAL	KIWA - 2503723
NUMBER OF OUTLETS	1
NUMBER OF FUNCTIONS	1
SWIVEL SPOUT	No
INLET CONNECTIONS THREAD	G1/2"
WASTE INCLUDED	No
ANTI-SCALD	No
ENERGY SAVING	No

PRESSURE (BAR)	0.2	0.5	1	2	3	4	5
PRIMARY FLOWRATE							
HANDSET FLOWRATE		6.21	9	12.36	15.29	18.21	20.78
MASSAGE FLOW RATE							
AIR FLOW RATE							
WIRE FLOW RATE							
WATERFALL FLOW RATE							
MIST FLOW RATE							
HANDSPRAY FLOW RATE							

TECHNICAL DIMENSIONS

Dimensions in mm unless otherwise specified.

Tolerances (per material type) apply.



SPARES LIST

Only the parts labelled are available as spares.

NUMBER	PART CODE	DESCRIPTION
1	SHCVL	Inline Shower Check Valve Brushed Nickel 1/2"M 1/2"F
2	PRO974V	MPRO Shower Hose 1.5m Stainless Steel
3	T9T260Q3_3V	Cover Plate PRO963V