

# PRODUCT DATA SHEET



## PRODUCT CODE

RM531WC

## RANGE

Multivalve

## DESCRIPTION

Central Multifunction Shower Chrome

## WEBSITE LINK

[Click Here](#)

CATEGORY	Brassware
WARRANTY DETAILS	15 Years
COLOUR	Chrome
FINISH APPLICATION	Electroplated
PRIMARY MATERIAL	Brass
SECONDARY MATERIAL	Zinc
INSTALL TYPE	Wall Mounted
PRODUCT WIDTH MM	293
PRODUCT HEIGHT MM	1408
PRODUCT DEPTH MM	538
PRODUCT NET WEIGHT KG	14.5
MINIMUM PRESSURE (BAR)	1
MAX WORKING PRESSURE (BAR)	5

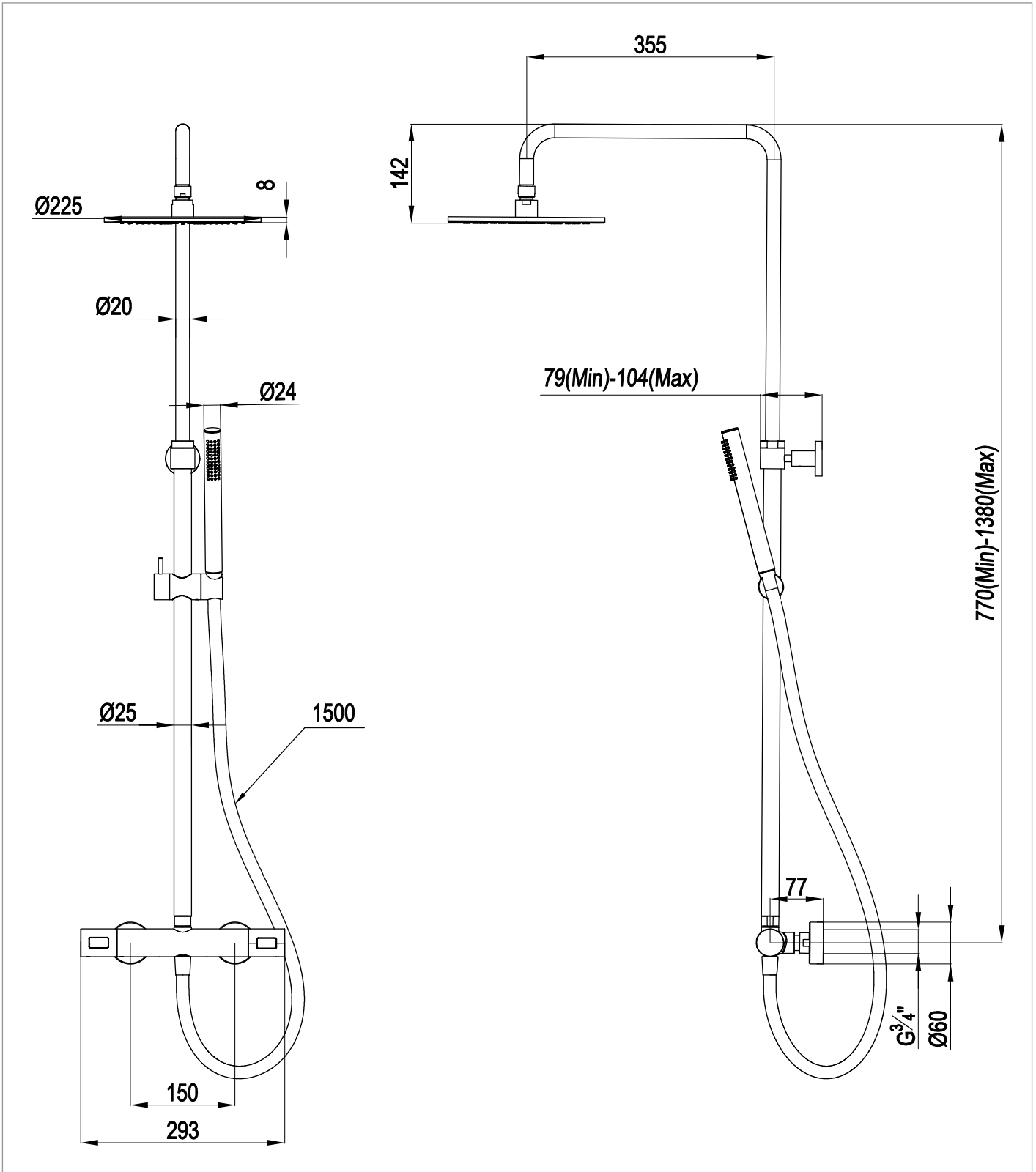
APPROVAL	WRAS - 241088002
NUMBER OF OUTLETS	2
NUMBER OF FUNCTIONS	1
HEADWORK	Thermo cartridge + flow control/s
WASTE INCLUDED	No
ANTI-SCALD	Yes
ENERGY SAVING	No

PRESSURE (BAR)	0.2	0.5	1	2	3	4	5
PRIMARY FLOWRATE			7.07	10.62	13.47	16.1	18.21
HANDSET FLOWRATE			5.84	8.74	10.9	12.59	14.1
MASSAGE FLOW RATE							
AIR FLOW RATE							
WIRE FLOW RATE							
WATERFALL FLOW RATE							
MIST FLOW RATE							
HANDSPRAY FLOW RATE							

## TECHNICAL DIMENSIONS

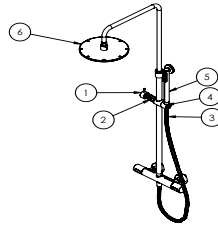
Dimensions in mm unless otherwise specified.

Tolerances (per material type) apply.



## SPARES LIST

Only the parts labelled are available as spares.



NUMBER	PART CODE	DESCRIPTION
1	A018310208	Diverter Handle Brushed Bronze
	A018310207	Diverter Handle Slate
	A018310200	Diverter Handle Chrome RM531WC
	A018310203	Diverter Handle Brushed Brass RM531WF
	A018310202	Diverter Handle Stainless Steel Effect RM531WV
	A018310201	Diverter Handle Matt Black RM531WM
2	A018310508	Thermo cartridge with handle Brushed Bronze
	A018310507	Thermo cartridge with handle Slate
	A018310500	Thermo cartridge with handle Chrome RM531WC
	A018310503	Thermo cartridge with handle Brushed Brass RM531WF
	A018310502	Thermo cartridge with handle Stainless Steel Effect RM531WV
	A018310501	Thermo cartridge with handle Matt Black RM531WM
3	B20000208	Shower Hose Brushed Bronze
	B20000207	Shower Hose Slate
	B20000200	Shower Hose Chrome RM531WC
	B20000203	Shower Hose Brushed Brass RM531WF
	B20000201	Shower Hose Stainless Steel Effect
	B20000202	Shower Hose Matt Black RM531WM
4	C070001000407	Handset Holder Brushed Bronze
	C070001000406	Handset Holder Slate
	C070001000400	Handset Holder Chrome RM531WC
	C070001000404	Handset Holder Brushed Brass RM531WF
	C070001000405	Handset Holder Stainless Steel Effect RM531WV
	C070001000401	Handset Holder Matt Black RM531WM
5	C10002428	Handset Brushed Bronze
	C10002427	Handset Slate
	C10002400	Handset Chrome RM531WC
	C10002411	Handset Brushed Brass RM531WF
	C10002401	Handset Stainless Steel Effect RM531WV
	C10002403	Handset Matt Black RM531WM
6	C06011000	Shower Head Chrome
	C06011001	Shower Head Brushed Brass
	C06011003	Shower Head Stainless Steel Effect
	C06011002	Shower Head Black Matt
	C06011005	Shower Head RM531WBZ
	C06011004	Shower Head RM531WT