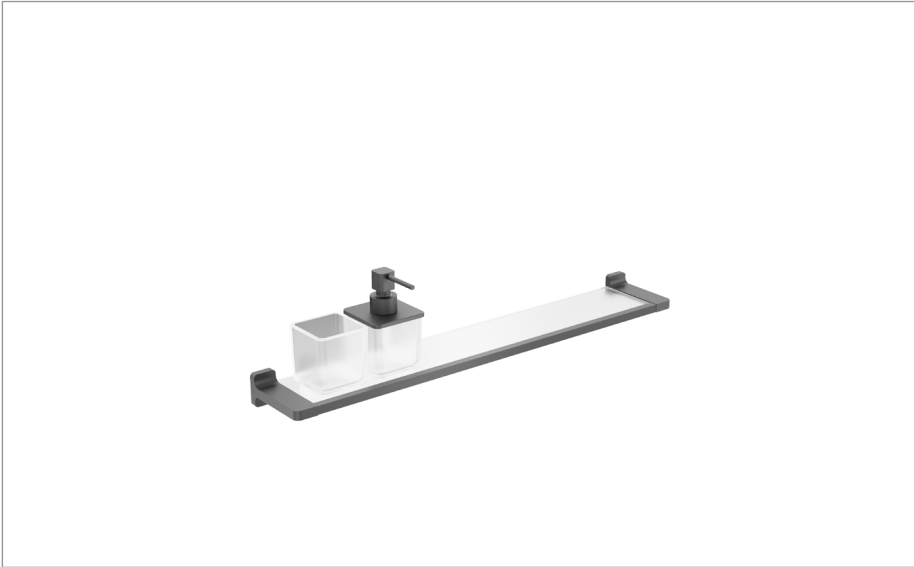


PRODUCT DATA SHEET



PRODUCT CODE

RT001T

RANGE

Rotar

DESCRIPTION

Rotar Shelf 600mm Slate

WEBSITE LINK

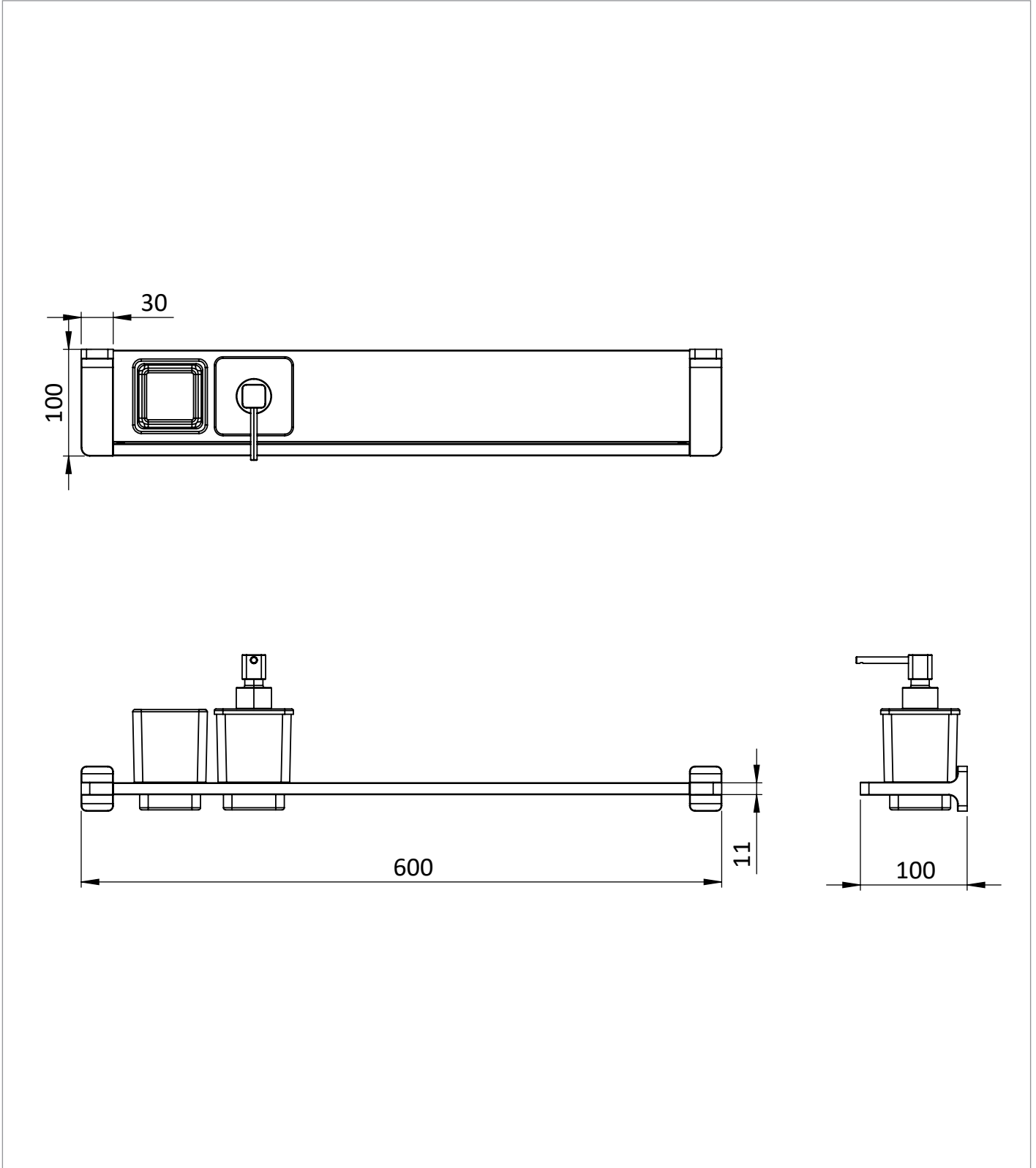
[Click Here](#)

CATEGORY	Accessories
WARRANTY DETAILS	15 Years
COLOUR	Slate
FINISH APPLICATION	PVD
PRIMARY MATERIAL	Zamac
SECONDARY MATERIAL	Brass
INSTALL TYPE	Wall Mounted
PRODUCT WIDTH MM	600
PRODUCT HEIGHT MM	155
PRODUCT LENGTH MM	100
PRODUCT DEPTH MM	100
PRODUCT NET WEIGHT KG	1.7

TECHNICAL DIMENSIONS

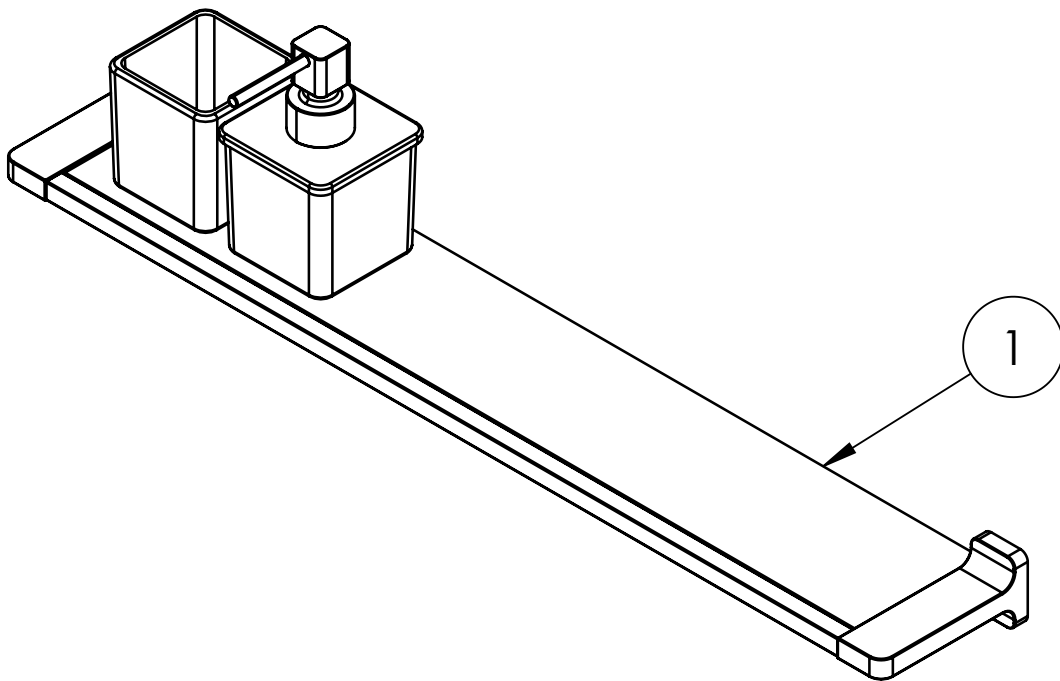
Dimensions in mm unless otherwise specified.

Tolerances (per material type) apply.



SPARES LIST

Only the parts labelled are available as spares.



NUMBER	PART CODE	DESCRIPTION
1	7020044_142	Rotar Shelf 600mm