

PRODUCT DATA SHEET



PRODUCT CODE

RT003T

RANGE

Rotar

DESCRIPTION

Rotar Tumbler Holder Slate

WEBSITE LINK

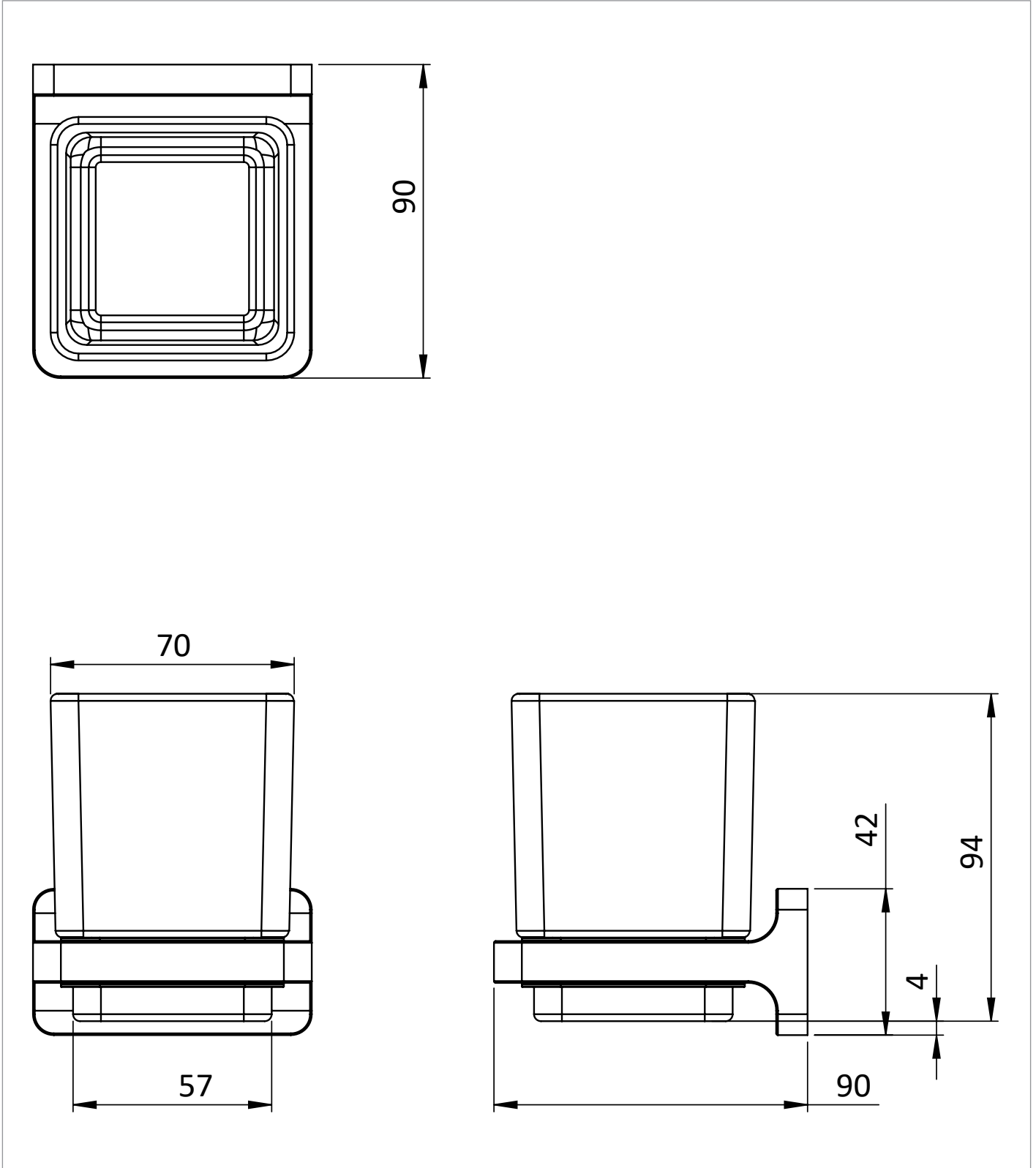
[Click Here](#)

| | |
|-----------------------|--------------|
| CATEGORY | Accessories |
| WARRANTY DETAILS | 15 Years |
| COLOUR | Slate |
| FINISH APPLICATION | PVD |
| PRIMARY MATERIAL | Brass |
| SECONDARY MATERIAL | Glass |
| INSTALL TYPE | Wall Mounted |
| PRODUCT WIDTH MM | 80 |
| PRODUCT HEIGHT MM | 98 |
| PRODUCT LENGTH MM | 90 |
| PRODUCT NET WEIGHT KG | 0.97 |

TECHNICAL DIMENSIONS

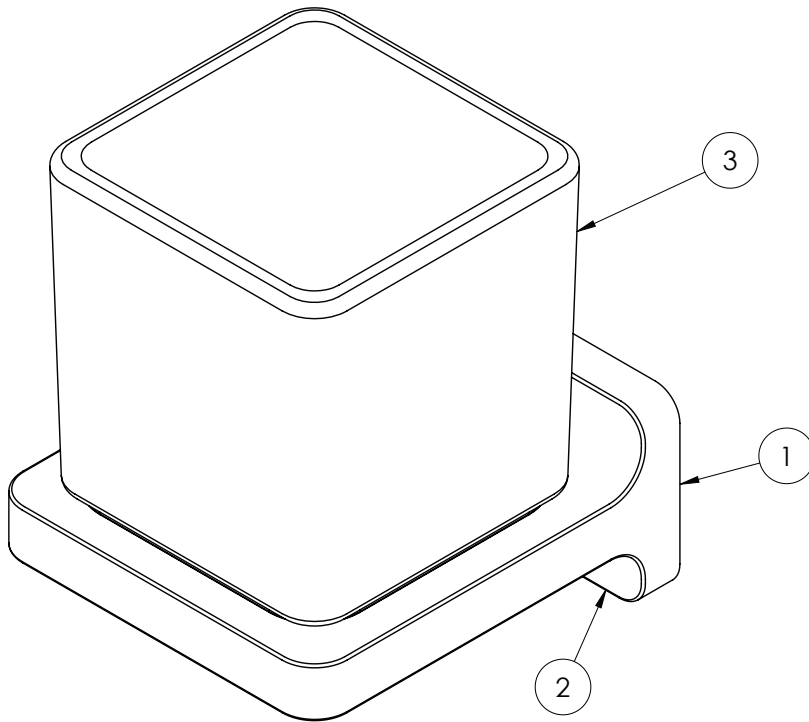
Dimensions in mm unless otherwise specified.

Tolerances (per material type) apply.



SPARES LIST

Only the parts labelled are available as spares.



| NUMBER | PART CODE | DESCRIPTION |
|--------|-----------|---|
| 1 | RT00003 | Rotar Wall Mounting Plate for RT003/RT011 |
| 2 | RT00004 | Rotar Grub Screws for RT021/RT003/RT011/RT013/RT029/RT025/RT023/RT015 |
| 3 | RT00005 | Rotar Glass Tumbler for RT003/RT011 |