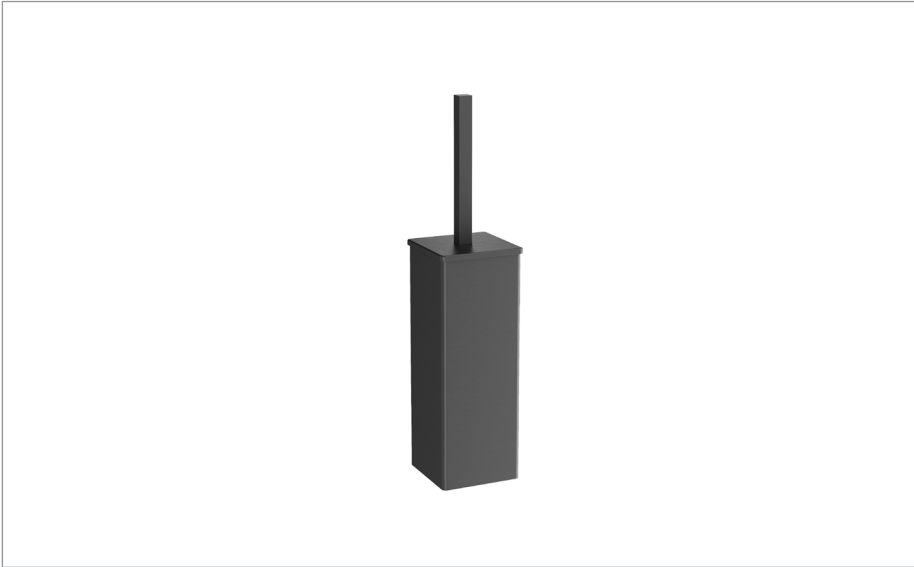


PRODUCT DATA SHEET



PRODUCT CODE

RT025T

RANGE

Rotar

DESCRIPTION

Rotar Toilet Brush Holder Slate

WEBSITE LINK

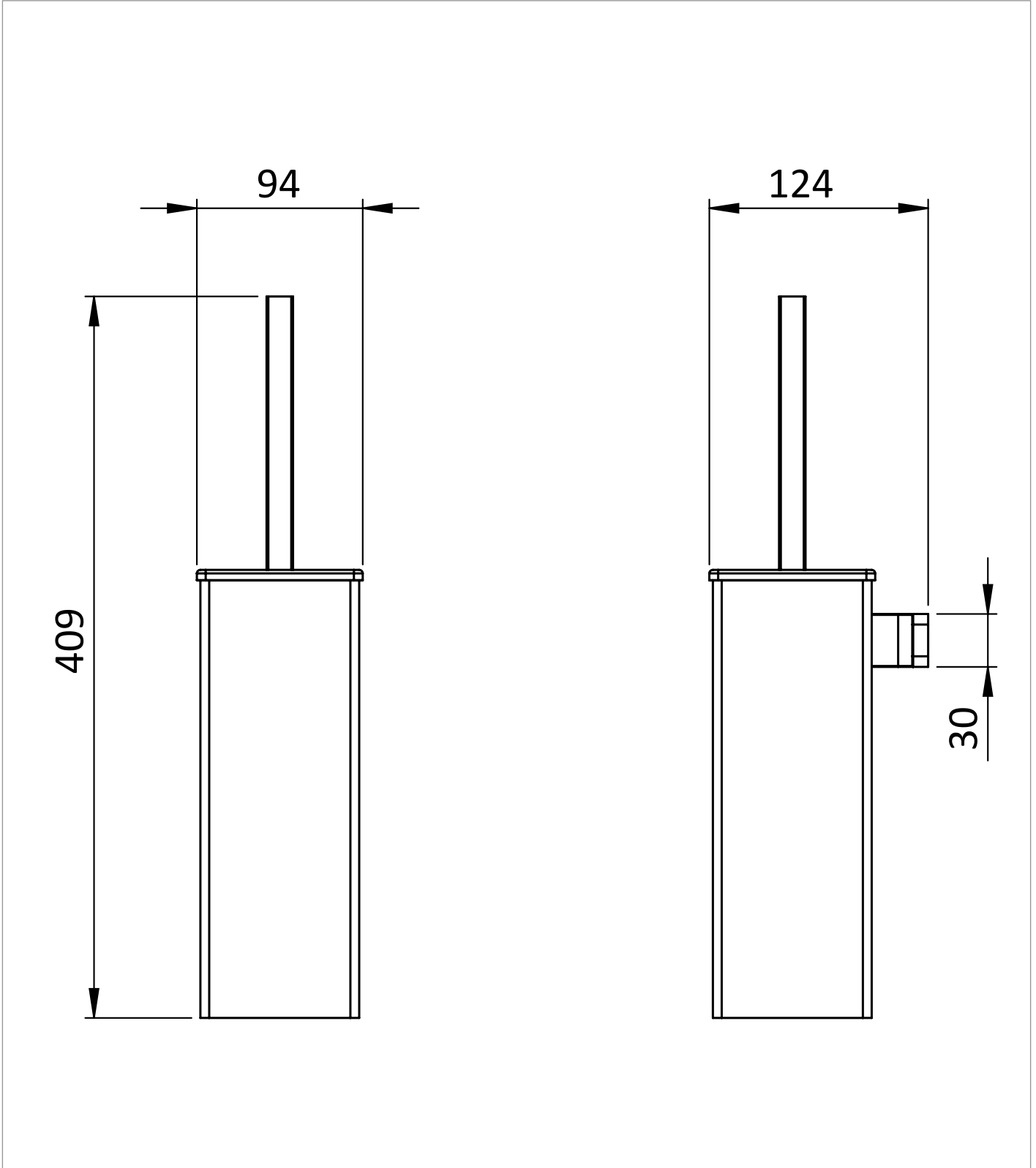
[Click Here](#)

CATEGORY	Accessories
WARRANTY DETAILS	15 Years
COLOUR	Slate
FINISH APPLICATION	PVD
PRIMARY MATERIAL	304 Stainless Steel
SECONDARY MATERIAL	Brass
INSTALL TYPE	Wall Mounted
PRODUCT WIDTH MM	94
PRODUCT HEIGHT MM	409
PRODUCT LENGTH MM	1
PRODUCT DEPTH MM	124
PRODUCT NET WEIGHT KG	1.52

TECHNICAL DIMENSIONS

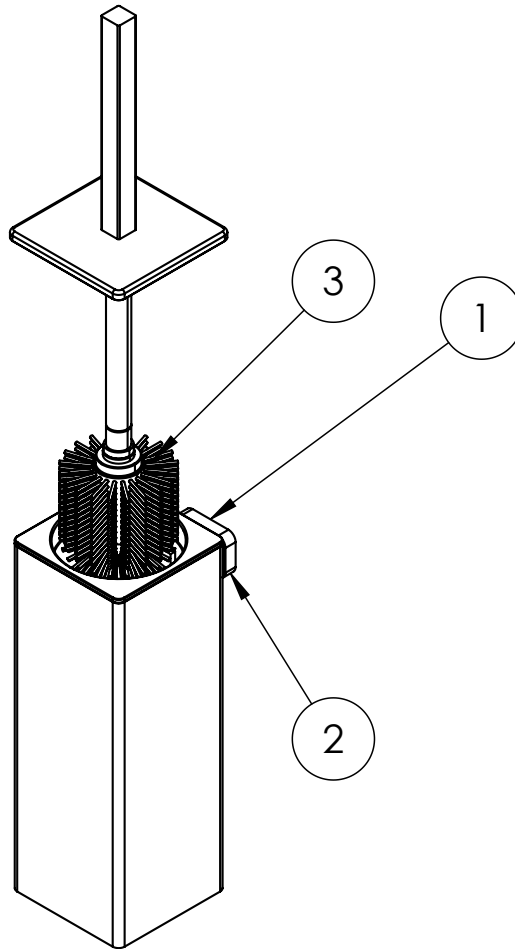
Dimensions in mm unless otherwise specified.

Tolerances (per material type) apply.



SPARES LIST

Only the parts labelled are available as spares.



NUMBER	PART CODE	DESCRIPTION
1	RT00002	Rotar Wall Mounting Plate for RT021/RT013/RT029/RT025/RT023/RT015
2	RT00004	Rotar Grub Screws for RT021/RT003/RT011/RT013/RT029/RT025/RT023/RT015
3	SP522N	WC Brush Head