

PRODUCT DATA SHEET



PRODUCT CODE

RT029M

RANGE

Rotar

DESCRIPTION

Rotar Toilet Roll Holder Matt Black

WEBSITE LINK

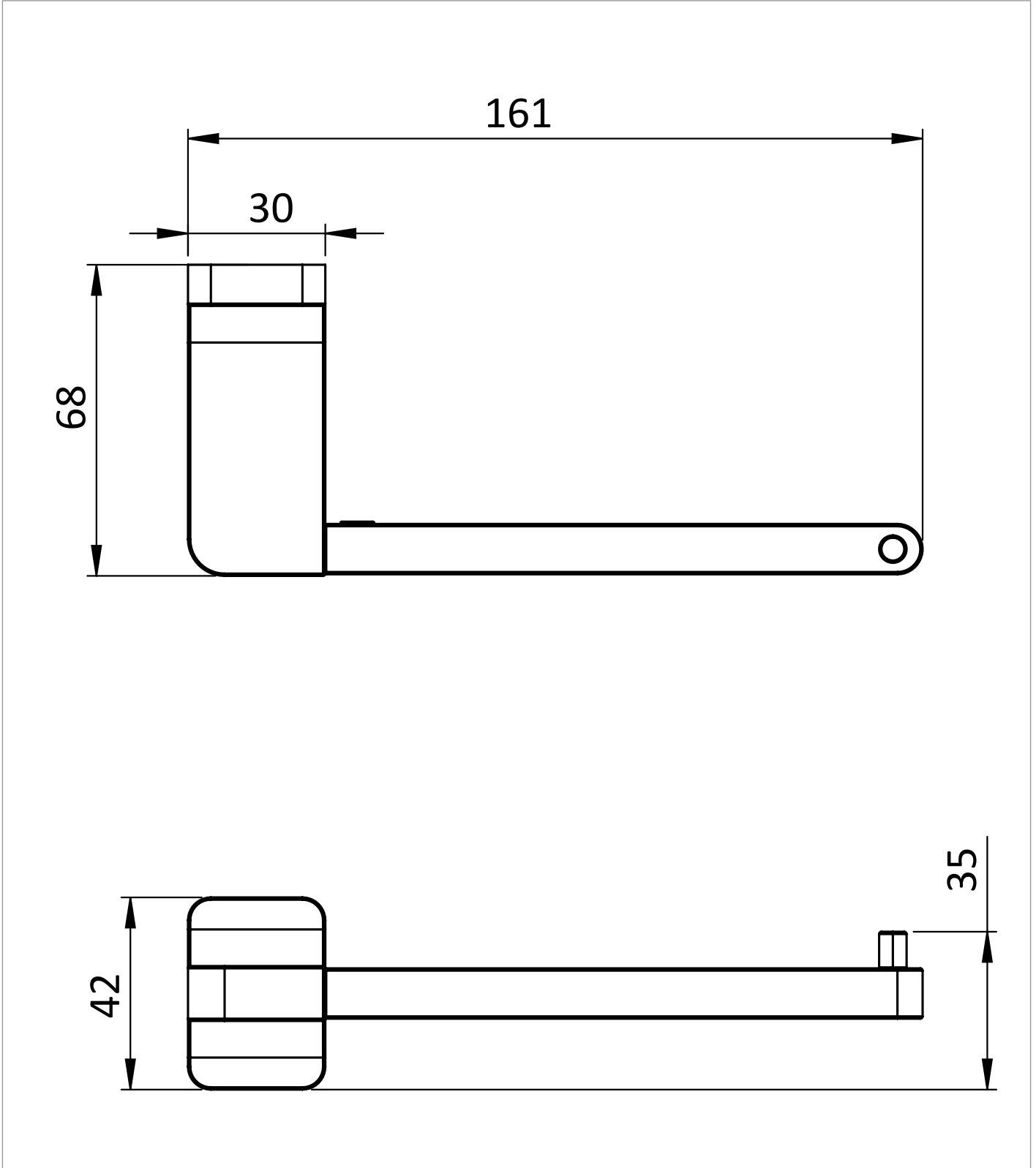
[Click Here](#)

| | |
|-----------------------|-------------------|
| CATEGORY | Accessories |
| WARRANTY DETAILS | 15 Years |
| COLOUR | Matt Black |
| FINISH APPLICATION | Immersion Plating |
| PRIMARY MATERIAL | Brass |
| SECONDARY MATERIAL | Zamac |
| INSTALL TYPE | Wall Mounted |
| PRODUCT WIDTH MM | 161.01 |
| PRODUCT HEIGHT MM | 42 |
| PRODUCT DEPTH MM | 68 |
| PRODUCT NET WEIGHT KG | 0.8 |

TECHNICAL DIMENSIONS

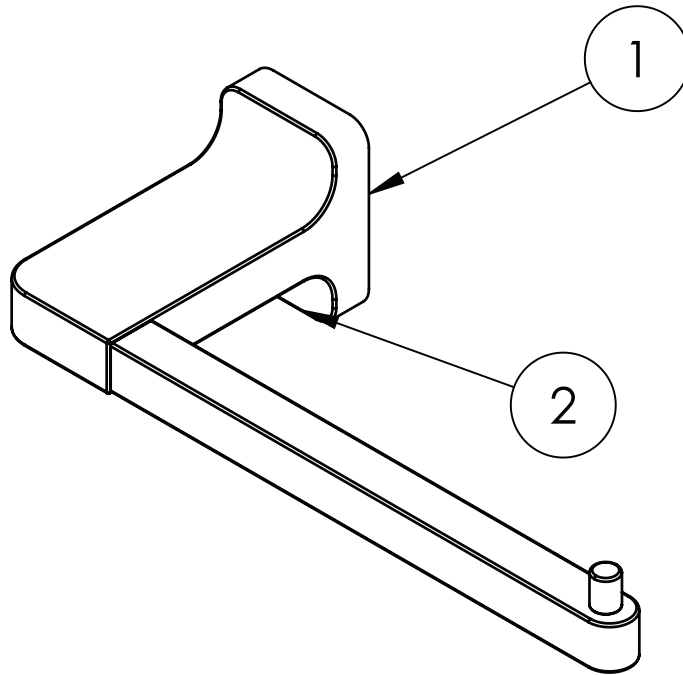
Dimensions in mm unless otherwise specified.

Tolerances (per material type) apply.



SPARES LIST

Only the parts labelled are available as spares.



| NUMBER | PART CODE | DESCRIPTION |
|--------|-----------|---|
| 1 | RT00002 | Rotar Wall Mounting Plate for RT021/RT013/RT029/RT025/RT023/RT015 |
| 2 | RT00004 | Rotar Grub Screws for RT021/RT003/RT011/RT013/RT029/RT025/RT023/RT015 |