

# PRODUCT DATA SHEET



## PRODUCT CODE

SK812C

## RANGE

Shower Kit

## DESCRIPTION

Follow Me Hose and Escutcheon  
Chrome

## WEBSITE LINK

[Click Here](#)

CATEGORY	Brassware
WARRANTY DETAILS	15 Years
COLOUR	Chrome
FINISH APPLICATION	Electroplated
PRIMARY MATERIAL	Brass
INSTALL TYPE	Deck Mounted
PRODUCT HEIGHT MM	53
PRODUCT LENGTH MM	320
PRODUCT NET WEIGHT KG	1.7

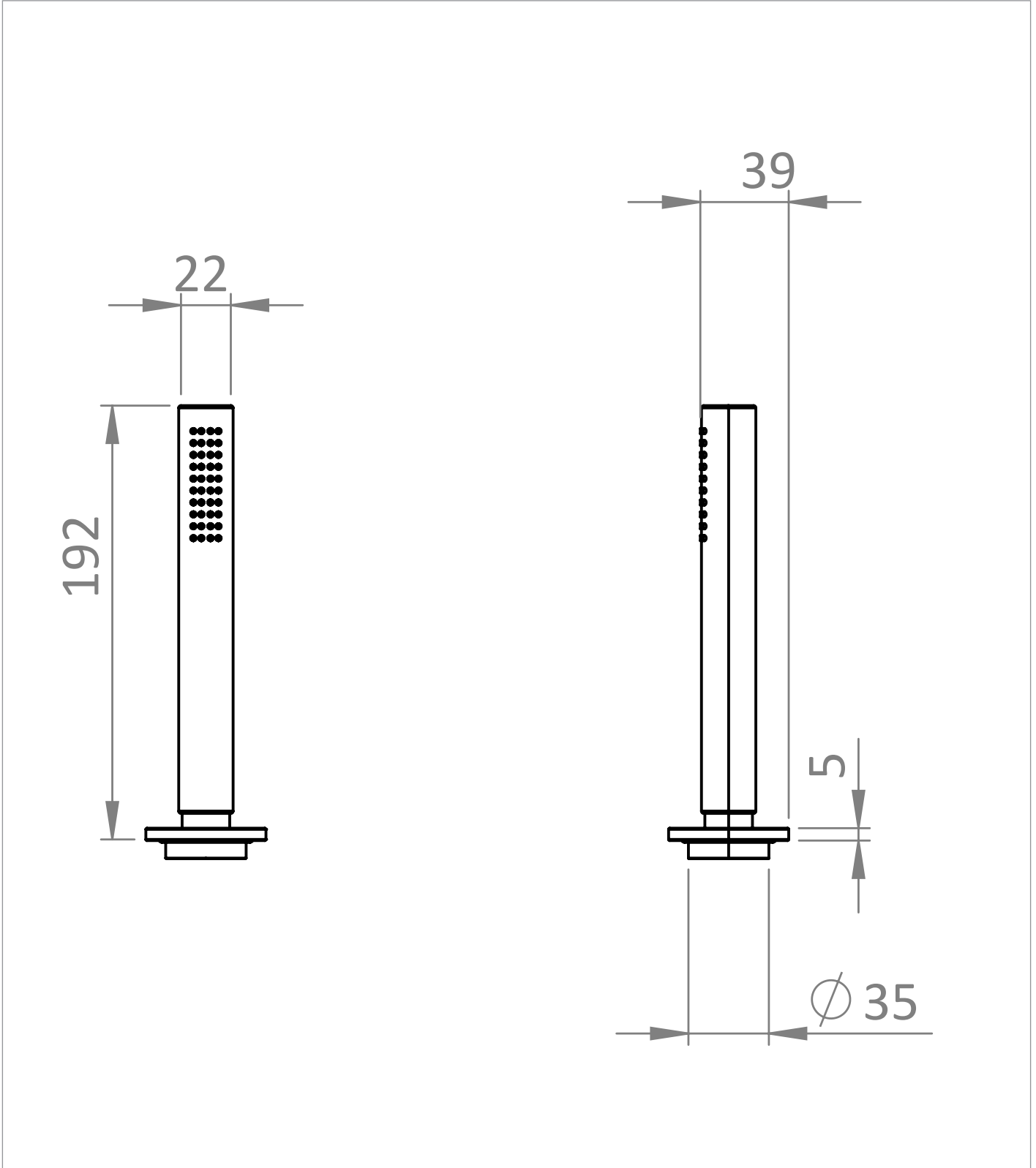
SWIVEL SPOUT	No
INLET CONNECTIONS THREAD	G3/8"
OUTLET CONNECTIONS THREAD	G1/2"
WASTE INCLUDED	Yes
ANTI-SCALD	No
ENERGY SAVING	No

PRESSURE (BAR)	0.2	0.5	1	2	3	4	5
PRIMARY FLOWRATE							
HANDSET FLOWRATE							
MASSAGE FLOW RATE							
AIR FLOW RATE							
WIRE FLOW RATE							
WATERFALL FLOW RATE							
MIST FLOW RATE							
HANDSPRAY FLOW RATE							

## TECHNICAL DIMENSIONS

Dimensions in mm unless otherwise specified.

Tolerances (per material type) apply.



## SPARES LIST

Only the parts labelled are available as spares.

NUMBER	PART CODE	DESCRIPTION
1	SH812EA1	Shower Hose From SK812C
2	PR16264Q00	Part 9 for SK812C Assembled