

PRODUCT DATA SHEET



PRODUCT CODE

SK963C

RANGE

Shower Kit

DESCRIPTION

Designer Shower Kit With Wall Outlet
Chrome

CATEGORY	Brassware
WARRANTY DETAILS	15 Years
COLOUR	Chrome
FINISH APPLICATION	Electroplated
PRIMARY MATERIAL	Brass
INSTALL TYPE	Wall Mounted
PRODUCT WIDTH MM	53
PRODUCT HEIGHT MM	234
PRODUCT DEPTH MM	77
PRODUCT NET WEIGHT KG	1
MINIMUM PRESSURE (BAR)	0.5
MAX WORKING PRESSURE (BAR)	5

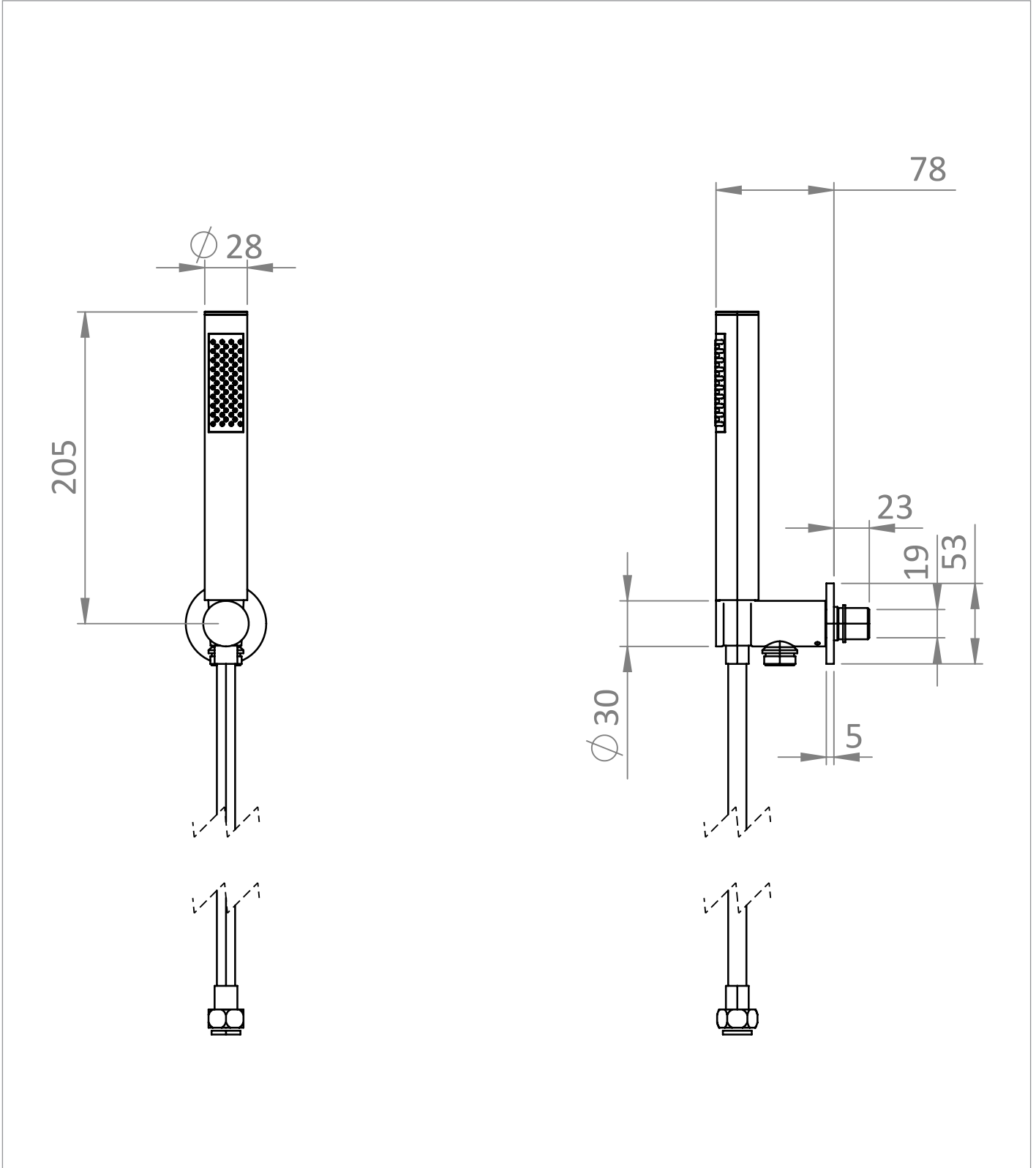
APPROVAL	KIWA - 2503723
NUMBER OF OUTLETS	1
NUMBER OF FUNCTIONS	1
INLET CONNECTIONS THREAD	G1/2"
WASTE INCLUDED	No
ANTI-SCALD	No
ENERGY SAVING	No

PRESSURE (BAR)	0.2	0.5	1	2	3	4	5
PRIMARY FLOWRATE							
HANDSET FLOWRATE		6.21	9	12.36	15.29	18.21	20.78
MASSAGE FLOW RATE							
AIR FLOW RATE							
WIRE FLOW RATE							
WATERFALL FLOW RATE							
MIST FLOW RATE							
HANDSPRAY FLOW RATE							

TECHNICAL DIMENSIONS

Dimensions in mm unless otherwise specified.

Tolerances (per material type) apply.



SPARES LIST

Only the parts labelled are available as spares.

NUMBER	PART CODE	DESCRIPTION
1	SH963C	Handset for PRO963 Chrome
2	T9T260C	Backplate for SK963C
3	PRO974C	Shower Hose 1.5m Chrome
4	SHCVC	Inline Shower Check Valve Chrome 1/2"M 1/2"F