

PRODUCT DATA SHEET



PRODUCT CODE

SK971BZ

RANGE

Shower Kit

DESCRIPTION

Shower Set with Outlet Elbow Brushed Bronze

CATEGORY	Brassware
WARRANTY DETAILS	15 Years
COLOUR	Brushed Bronze
FINISH APPLICATION	PVD
PRIMARY MATERIAL	Brass
SECONDARY MATERIAL	ABS
INSTALL TYPE	Wall Mounted
PRODUCT WIDTH MM	111
PRODUCT HEIGHT MM	698
PRODUCT DEPTH MM	45
PRODUCT NET WEIGHT KG	1.64
MINIMUM PRESSURE (BAR)	1
MAX WORKING PRESSURE (BAR)	5

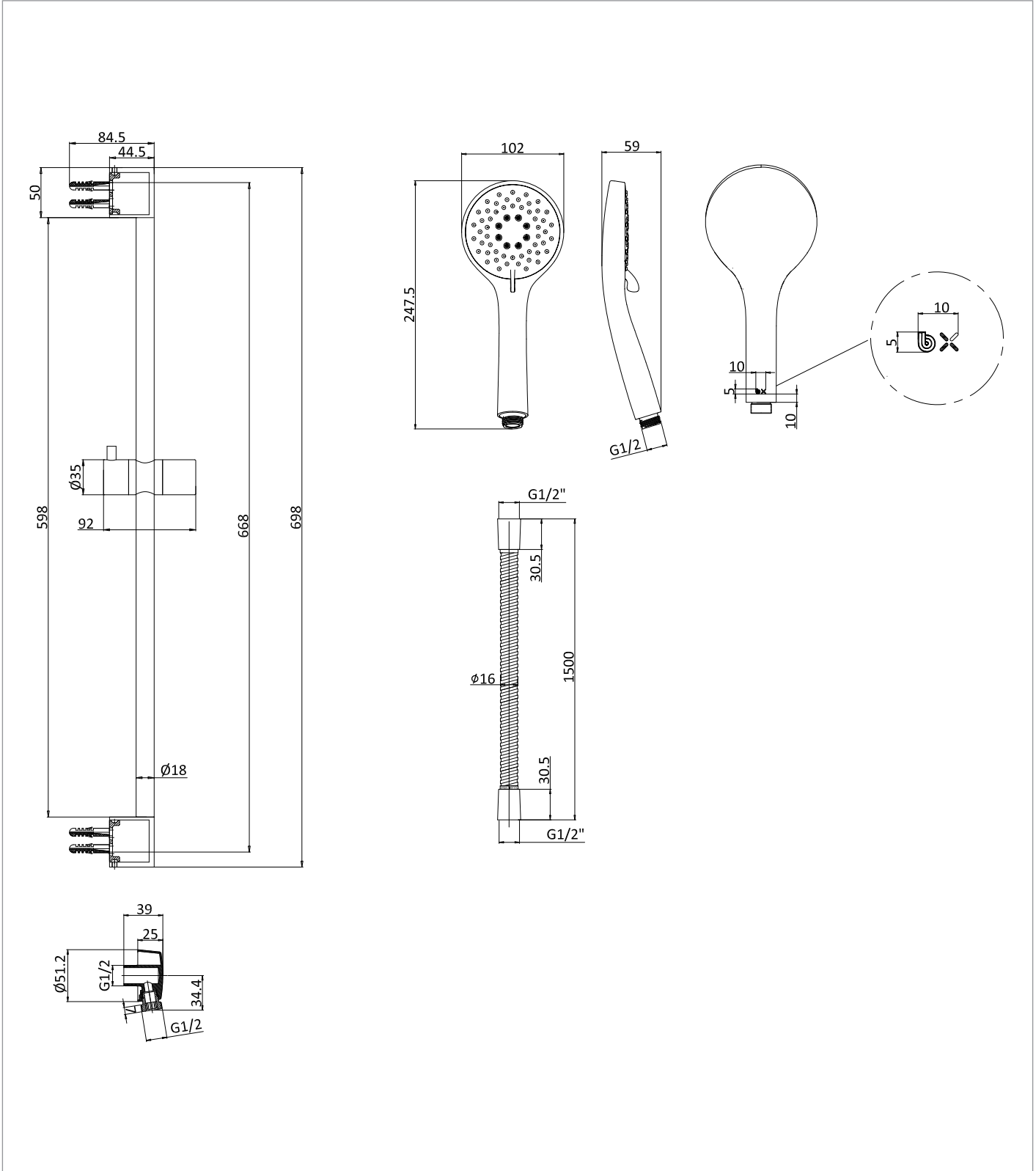
APPROVAL	WRAS - 251188002
NUMBER OF OUTLETS	1
NUMBER OF FUNCTIONS	3
INLET CONNECTIONS THREAD	G1/2"
WASTE INCLUDED	No
ANTI-SCALD	No
ENERGY SAVING	No

PRESSURE (BAR)	0.2	0.5	1	2	3	4	5
PRIMARY FLOWRATE			10.29	13.26	15.18	17.76	19.38
HANDSET FLOWRATE							
MASSAGE FLOW RATE							
AIR FLOW RATE							
WIRE FLOW RATE							
WATERFALL FLOW RATE							
MIST FLOW RATE							
HANDSPRAY FLOW RATE							

TECHNICAL DIMENSIONS

Dimensions in mm unless otherwise specified.

Tolerances (per material type) apply.



SPARES LIST

Only the parts labelled are available as spares.

SPARES AVAILABLE UPON REQUEST