

# PRODUCT DATA SHEET



## PRODUCT CODE

SK984C

## RANGE

Shower Kit

## DESCRIPTION

Central Five Mode Shower Kit Chrome

## WEBSITE LINK

[Click Here](#)

CATEGORY	Brassware
WARRANTY DETAILS	15 Years
COLOUR	Chrome
FINISH APPLICATION	Electroplated
PRIMARY MATERIAL	Brass
INSTALL TYPE	Wall Mounted
PRODUCT WIDTH MM	147
PRODUCT HEIGHT MM	998
PRODUCT DEPTH MM	134
PRODUCT NET WEIGHT KG	0.85
MINIMUM PRESSURE (BAR)	0.5
MAX WORKING PRESSURE (BAR)	5

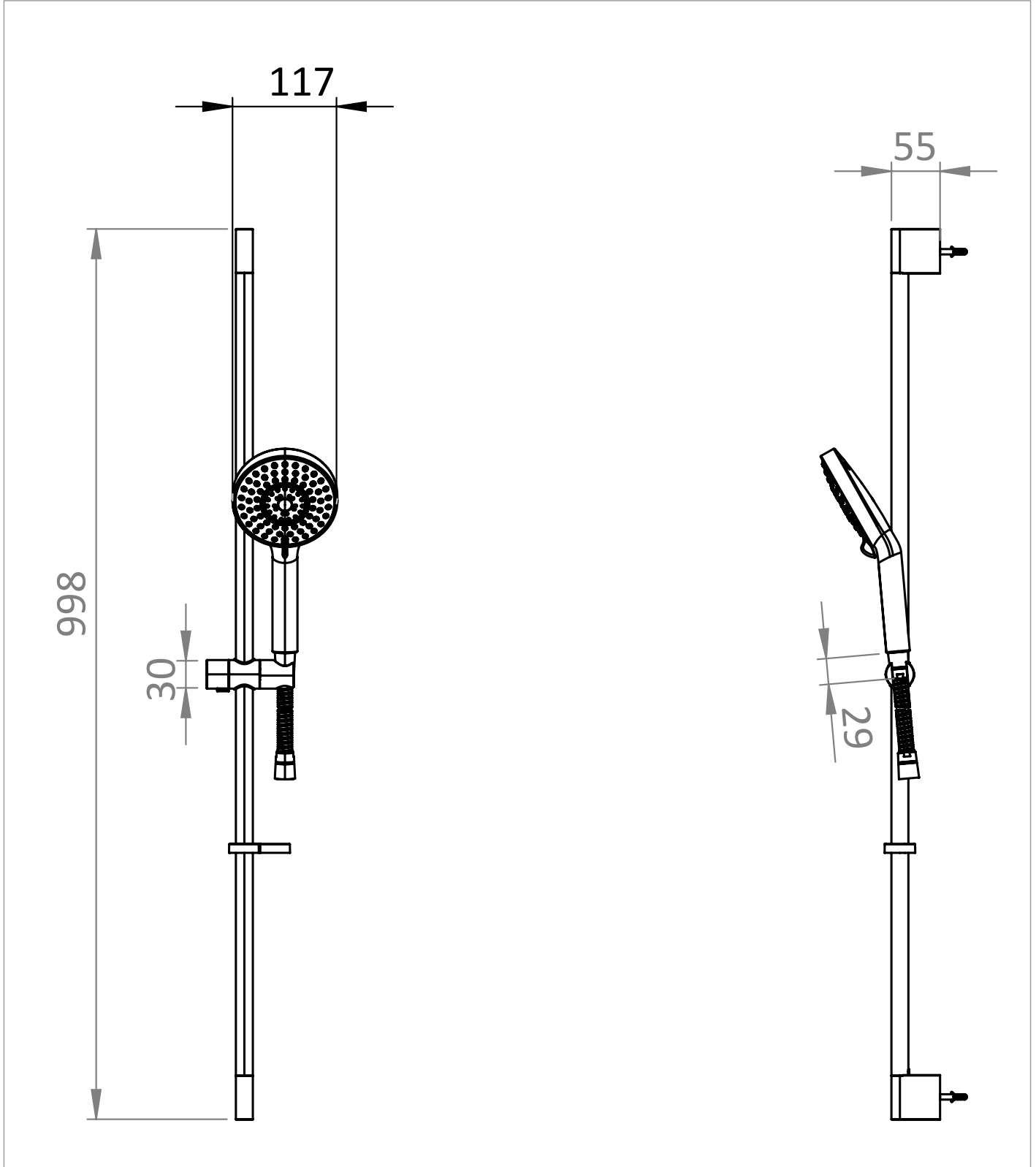
STANDARDS	BS EN 248:2002
NUMBER OF OUTLETS	1
NUMBER OF FUNCTIONS	3
SWIVEL SPOUT	No
INLET CONNECTIONS THREAD	G1/2"
WASTE INCLUDED	No
ANTI-SCALD	No
ENERGY SAVING	No

PRESSURE (BAR)	0.2	0.5	1	2	3	4	5
PRIMARY FLOWRATE					16.5		19.3
HANDSET FLOWRATE							
MASSAGE FLOW RATE							
AIR FLOW RATE							
WIRE FLOW RATE							
WATERFALL FLOW RATE							
MIST FLOW RATE							
HANDSPRAY FLOW RATE							

## TECHNICAL DIMENSIONS

Dimensions in mm unless otherwise specified.

Tolerances (per material type) apply.



## SPARES LIST

Only the parts labelled are available as spares.

NUMBER	PART CODE	DESCRIPTION
1	A07087_1	Shower Kit Riser Rail Bracket SK9 Kits
2	A07000	Shower Clip for SK984C
3	SHCVC	Inline Shower Check Valve Chrome 1/2"M 1/2"F