

# PRODUCT DATA SHEET



## PRODUCT CODE

STHFW6190F

## RANGE

Shower Waste

## DESCRIPTION

High Flow Shower Waste Brushed Brass

## WEBSITE LINK

[Click Here](#)

CATEGORY	Showering
WARRANTY DETAILS	2 Years
COLOUR	Brushed Brass
FINISH APPLICATION	PVD
PRIMARY MATERIAL	ABS
INSTALL TYPE	Horizontal Outlet
PRODUCT WIDTH MM	120
PRODUCT HEIGHT MM	110
PRODUCT LENGTH MM	1
PRODUCT NET WEIGHT KG	0.31

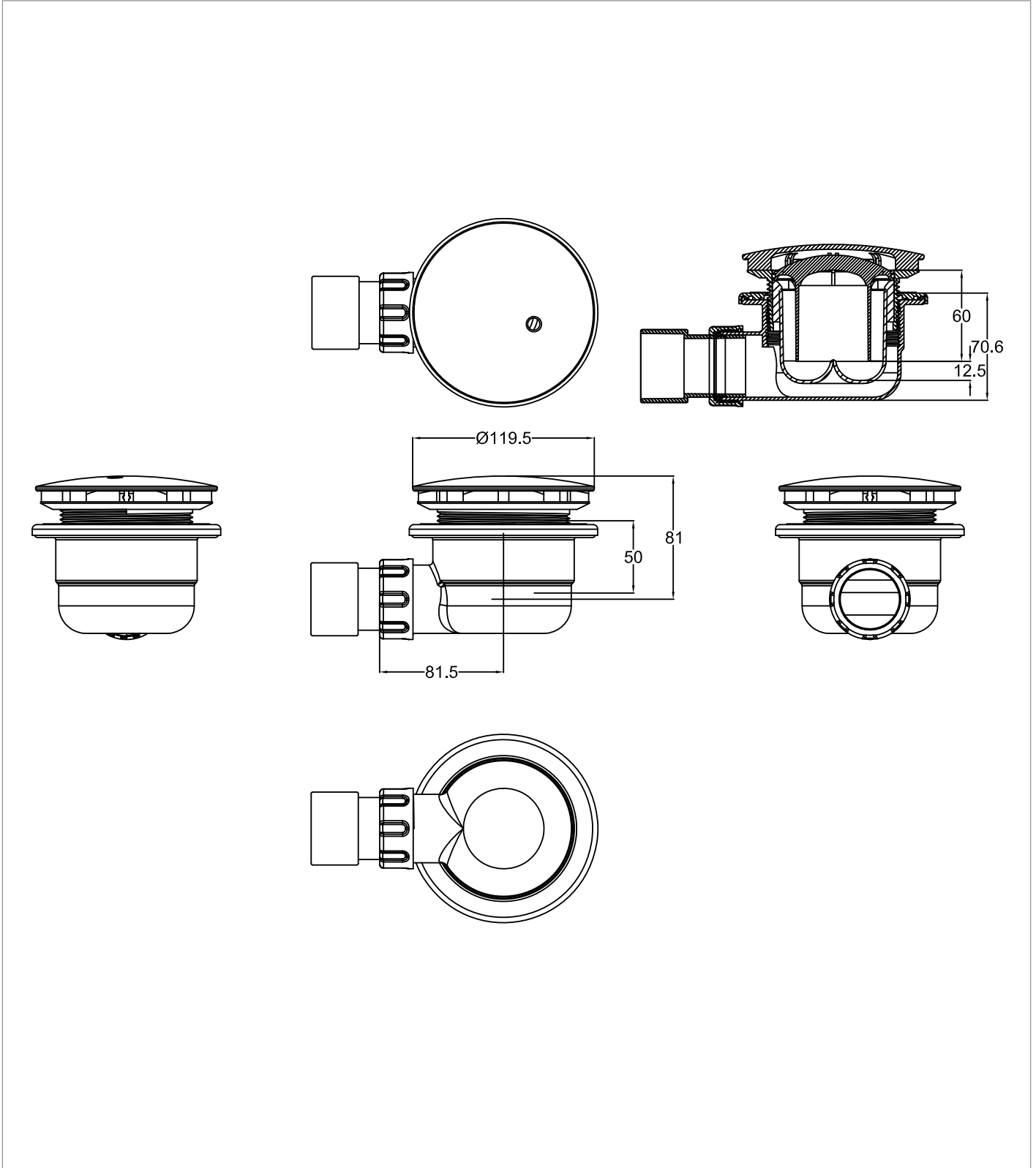
STANDARDS	EN 274-1: 2002
OUTLET CONNECTIONS THREAD WASTETRAP	42.5mm
WASTE WATER FLOW RATE	45.6
WATER SEAL HEIGHT (MM)	51.34

PRESSURE (BAR)	0.2	0.5	1	2	3	4	5
PRIMARY FLOWRATE							
HANDSET FLOWRATE							
MASSAGE FLOW RATE							
AIR FLOW RATE							
WIRE FLOW RATE							
WATERFALL FLOW RATE							
MIST FLOW RATE							
HANDSPRAY FLOW RATE							

## TECHNICAL DIMENSIONS

Dimensions in mm unless otherwise specified.

Tolerances (per material type) apply.



## SPARES LIST

Only the parts labelled are available as spares.

**NO SPARES AVAILABLE**