

PRODUCT DATA SHEET



PRODUCT CODE

STHFW6190MB

RANGE

Shower Waste

DESCRIPTION

High Flow Shower Waste Matt Black

WEBSITE LINK

[Click Here](#)

| | |
|-----------------------|-------------------|
| CATEGORY | Showering |
| WARRANTY DETAILS | 2 Years |
| COLOUR | Matt Black |
| FINISH APPLICATION | PVD |
| PRIMARY MATERIAL | ABS |
| INSTALL TYPE | Horizontal Outlet |
| PRODUCT WIDTH MM | 120 |
| PRODUCT HEIGHT MM | 110 |
| PRODUCT NET WEIGHT KG | 0.31 |

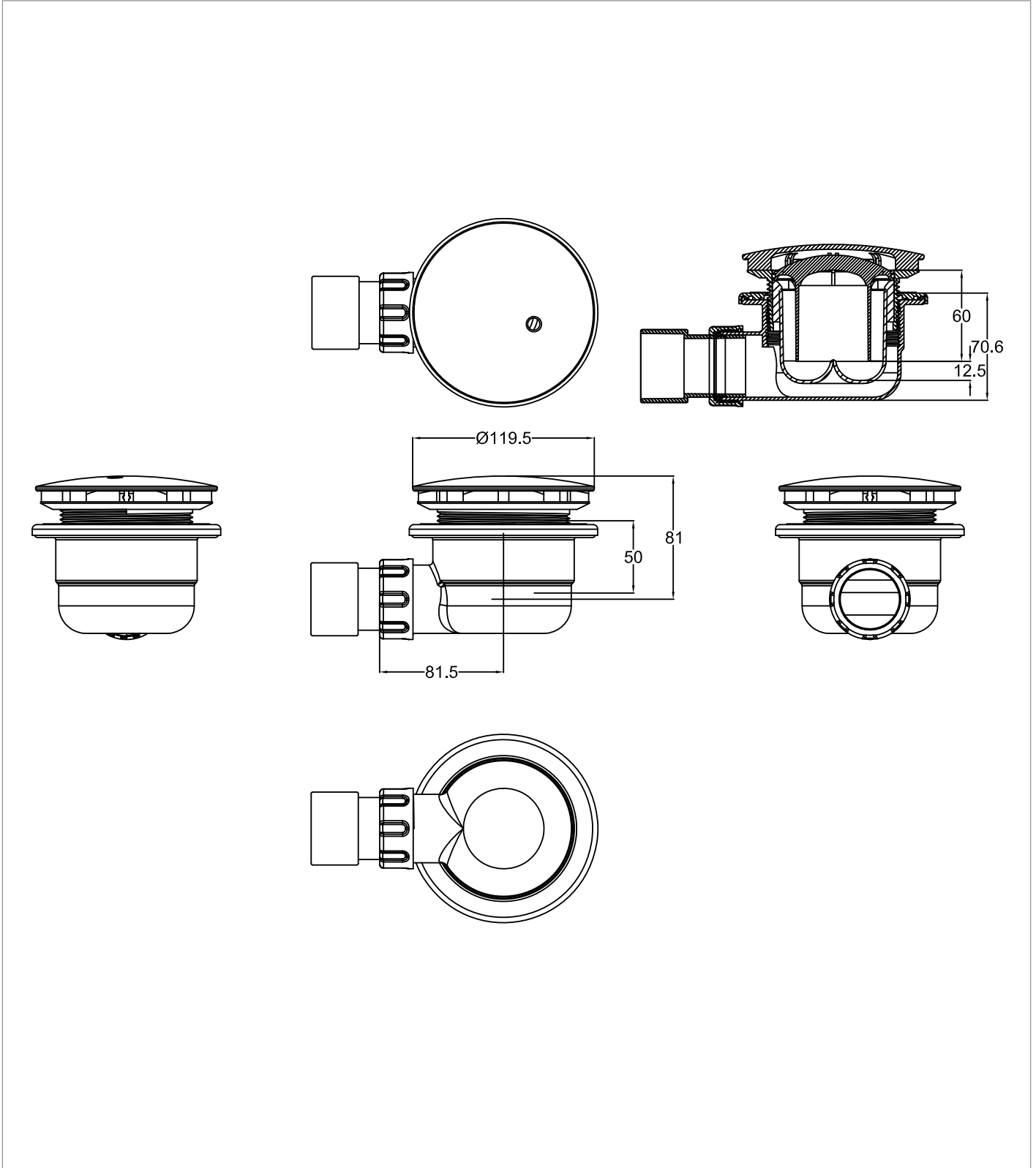
| | |
|----------------------------------------|----------------|
| STANDARDS | EN 274-1: 2002 |
| OUTLET CONNECTIONS THREAD WASTETRAP | 42.5mm |
| WASTE WATER FLOW RATE | 45.6 |
| WATER SEAL HEIGHT (MM) | 51.34 |

| PRESSURE (BAR) | 0.2 | 0.5 | 1 | 2 | 3 | 4 | 5 |
|---------------------|-----|-----|---|---|---|---|---|
| PRIMARY FLOWRATE | | | | | | | |
| HANDSET FLOWRATE | | | | | | | |
| MASSAGE FLOW RATE | | | | | | | |
| AIR FLOW RATE | | | | | | | |
| WIRE FLOW RATE | | | | | | | |
| WATERFALL FLOW RATE | | | | | | | |
| MIST FLOW RATE | | | | | | | |
| HANDSPRAY FLOW RATE | | | | | | | |

TECHNICAL DIMENSIONS

Dimensions in mm unless otherwise specified.

Tolerances (per material type) apply.



SPARES LIST

Only the parts labelled are available as spares.

NO SPARES AVAILABLE