

PRODUCT DATA SHEET



PRODUCT CODE

STHFW6190V

RANGE

Shower Waste

DESCRIPTION

High Flow Shower Waste Brushed Nickel

WEBSITE LINK

[Click Here](#)

CATEGORY	Showering
WARRANTY DETAILS	2 Years
COLOUR	Brushed Nickel
FINISH APPLICATION	PVD
PRIMARY MATERIAL	ABS
INSTALL TYPE	Horizontal Outlet
PRODUCT WIDTH MM	120
PRODUCT HEIGHT MM	110
PRODUCT NET WEIGHT KG	0.31

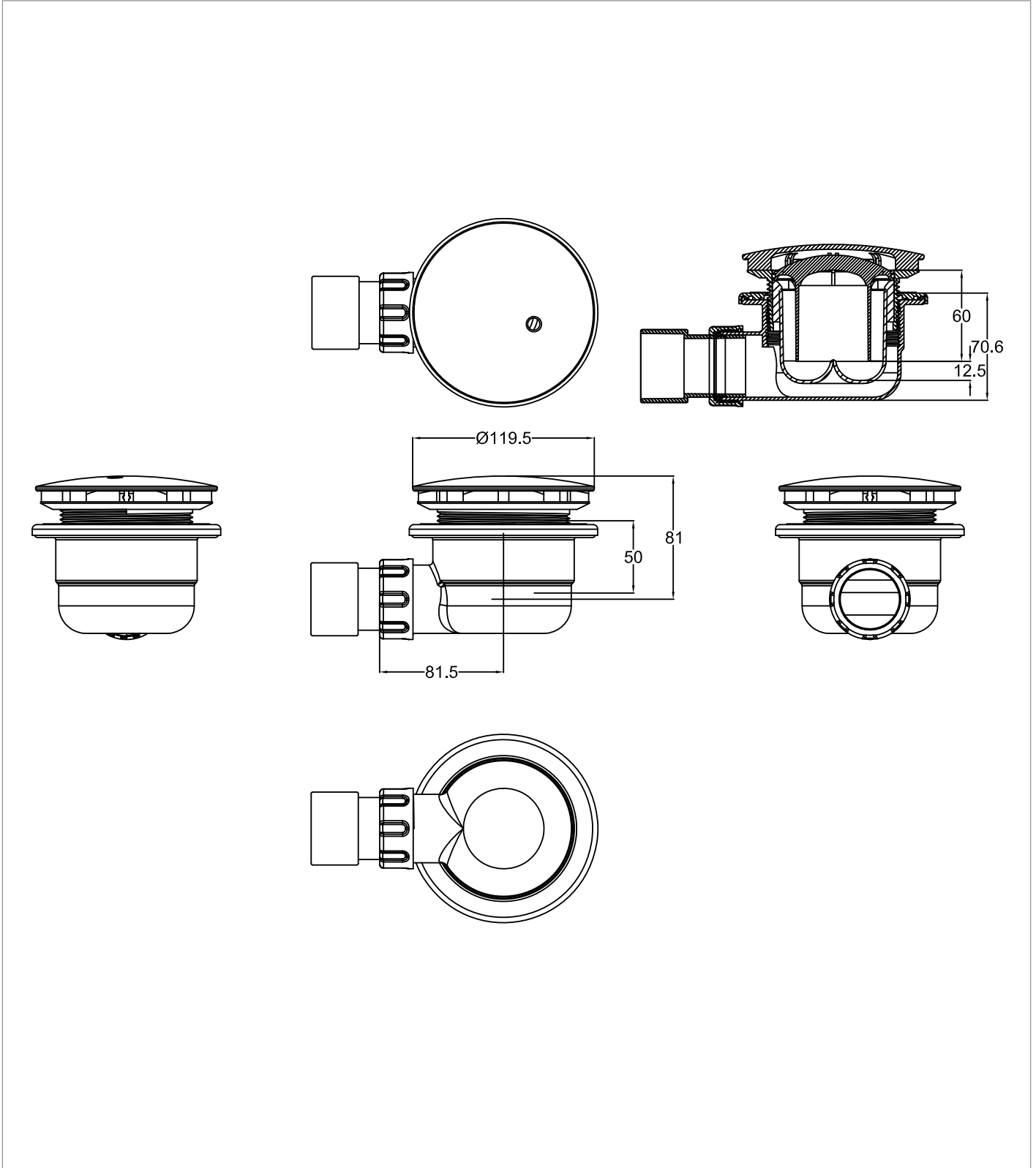
STANDARDS	EN 274-1: 2002
OUTLET CONNECTIONS THREAD WASTETRAP	42.5mm
WASTE WATER FLOW RATE	45.6
WATER SEAL HEIGHT (MM)	51.34

PRESSURE (BAR)	0.2	0.5	1	2	3	4	5
PRIMARY FLOWRATE							
HANDSET FLOWRATE							
MASSAGE FLOW RATE							
AIR FLOW RATE							
WIRE FLOW RATE							
WATERFALL FLOW RATE							
MIST FLOW RATE							
HANDSPRAY FLOW RATE							

TECHNICAL DIMENSIONS

Dimensions in mm unless otherwise specified.

Tolerances (per material type) apply.



SPARES LIST

Only the parts labelled are available as spares.

NO SPARES AVAILABLE