

PRODUCT DATA SHEET



PRODUCT CODE

TRAY25MMLEGSET8

RANGE

Leg Set

DESCRIPTION

8 Leg Riser Kit Vito & Creo Shower Trays

WEBSITE LINK

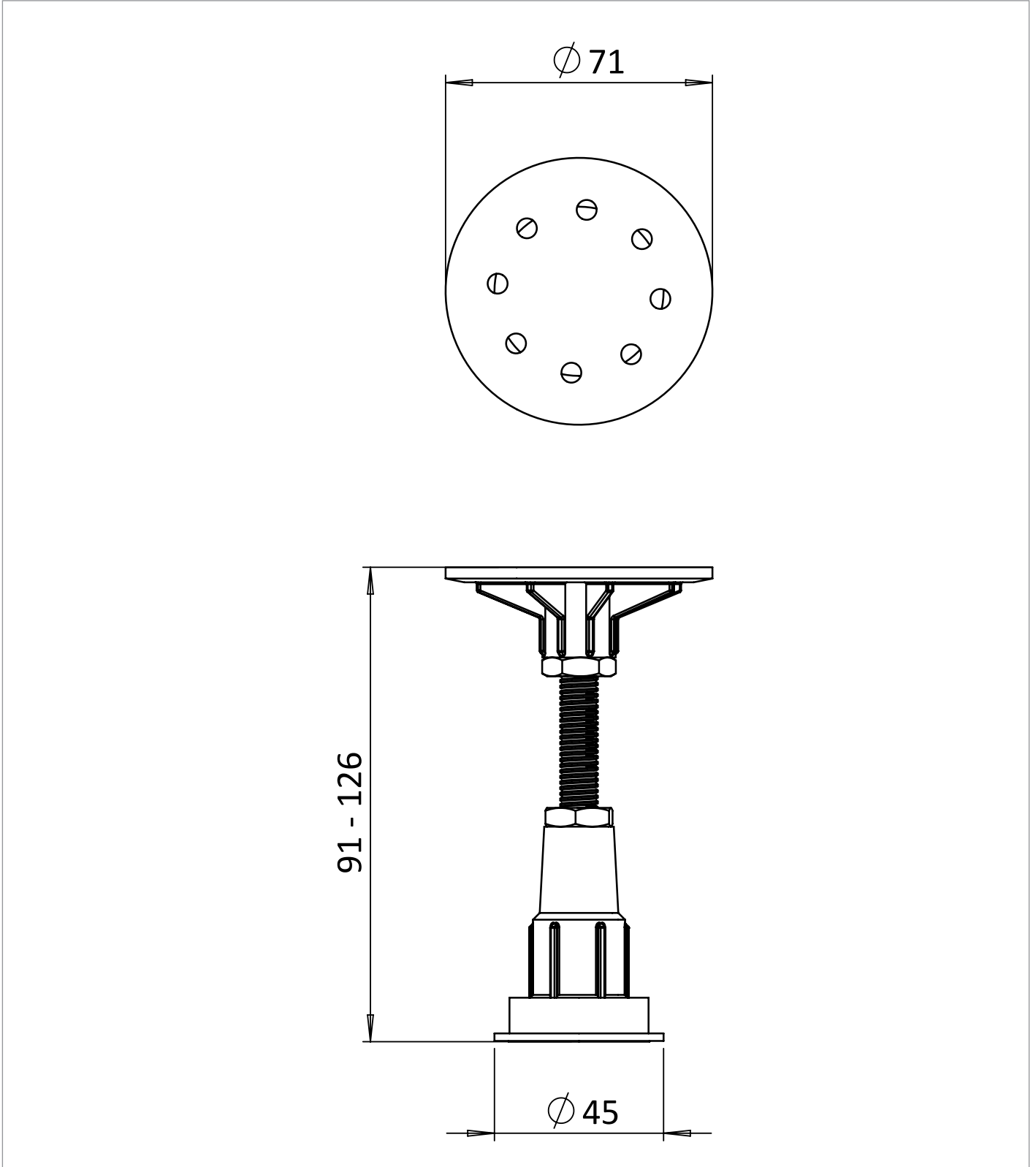
[Click Here](#)

CATEGORY	Showering
WARRANTY DETAILS	2 Years
COLOUR	White
PRIMARY MATERIAL	ABS
SECONDARY MATERIAL	Steel
INSTALL TYPE	Floor Mounted
PRODUCT WIDTH MM	45
PRODUCT HEIGHT MM	91
PRODUCT NET WEIGHT KG	2.1

TECHNICAL DIMENSIONS

Dimensions in mm unless otherwise specified.

Tolerances (per material type) apply.



SPARES LIST

Only the parts labelled are available as spares.

NO SPARES AVAILABLE