

# PRODUCT DATA SHEET



## PRODUCT CODE

TS0290S

## RANGE

3ONE6

## DESCRIPTION

3ONE6 Universal Basin Waste Stainless

## WEBSITE LINK

[Click Here](#)

CATEGORY	Brassware
WARRANTY DETAILS	2 Years
COLOUR	Stainless Steel
FINISH APPLICATION	Raw/Natural
PRIMARY MATERIAL	316 Stainless Steel
INSTALL TYPE	Basin Mounted
PRODUCT HEIGHT MM	75
PRODUCT DEPTH MM	66
PRODUCT NET WEIGHT KG	0.3
MINIMUM PRESSURE (BAR)	1
MAX WORKING PRESSURE (BAR)	5

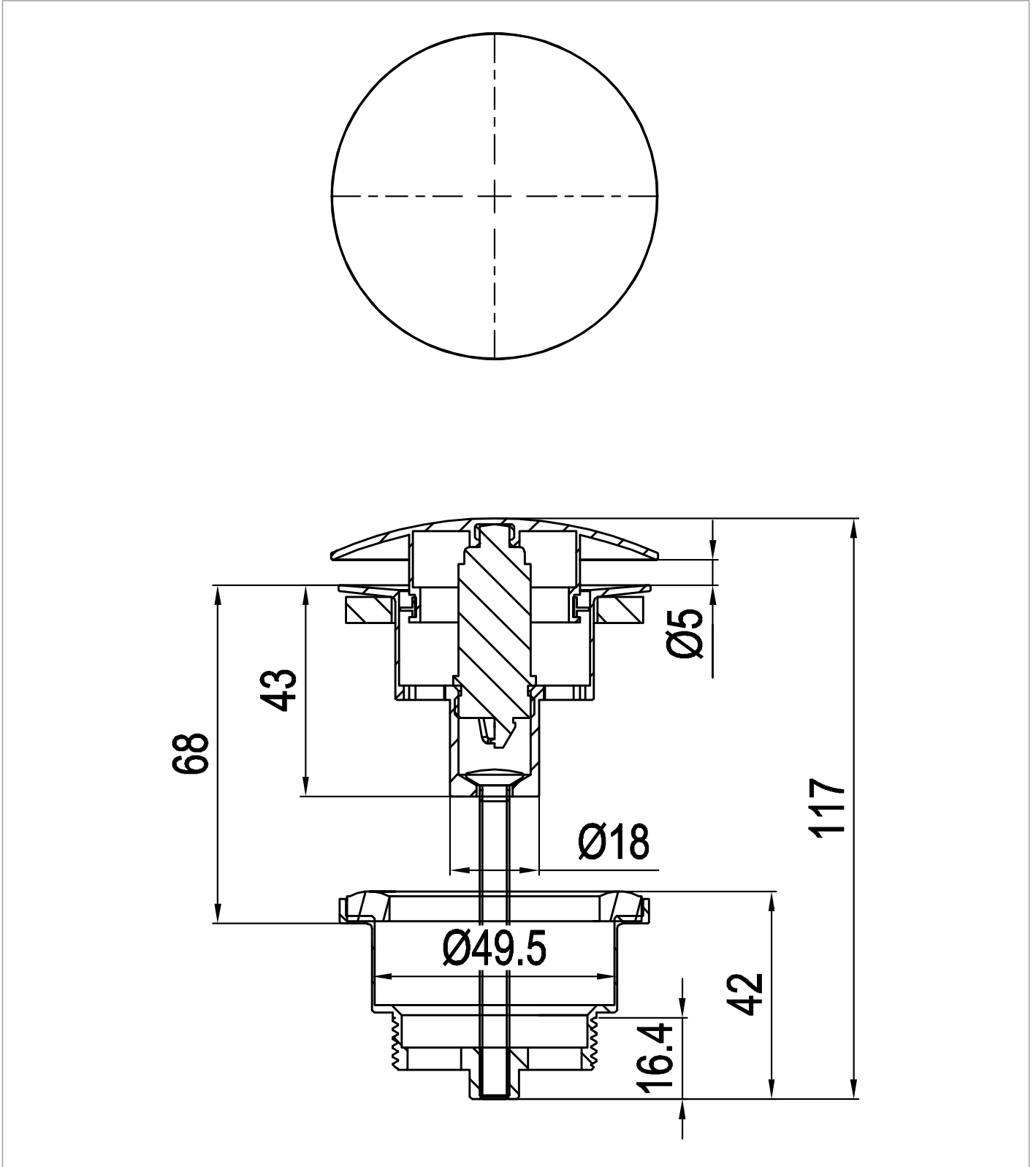
STANDARDS	BS EN 274-1:2002
NUMBER OF FUNCTIONS	1
ANTI-SCALD	No
ENERGY SAVING	No
OUTLET CONNECTIONS THREAD WASTETRAP	G1.1/4
WASTE WATER FLOW RATE	3
ADJUSTMENT (MIN - MAX)	12-60

PRESSURE (BAR)	0.2	0.5	1	2	3	4	5
PRIMARY FLOWRATE							
HANDSET FLOWRATE							
MASSAGE FLOW RATE							
AIR FLOW RATE							
WIRE FLOW RATE							
WATERFALL FLOW RATE							
MIST FLOW RATE							
HANDSPRAY FLOW RATE							

## TECHNICAL DIMENSIONS

Dimensions in mm unless otherwise specified.

Tolerances (per material type) apply.



## SPARES LIST

Only the parts labelled are available as spares.

**NO SPARES AVAILABLE**