

PRODUCT DATA SHEET



PRODUCT CODE

TS0290SF

RANGE

3ONE6

DESCRIPTION

3ONE6 Universal Basin Waste Stainless Brushed Brass Effect

WEBSITE LINK

[Click Here](#)

CATEGORY	Brassware
WARRANTY DETAILS	2 Years
COLOUR	Stainless Brushed Brass Effect
FINISH APPLICATION	PVD
PRIMARY MATERIAL	316 Stainless Steel
SECONDARY MATERIAL	Plastic
INSTALL TYPE	Basin Mounted
PRODUCT WIDTH MM	70
PRODUCT HEIGHT MM	75
PRODUCT LENGTH MM	70
PRODUCT DEPTH MM	66
PRODUCT NET WEIGHT KG	0.3
MINIMUM PRESSURE (BAR)	1
MAX WORKING PRESSURE (BAR)	5

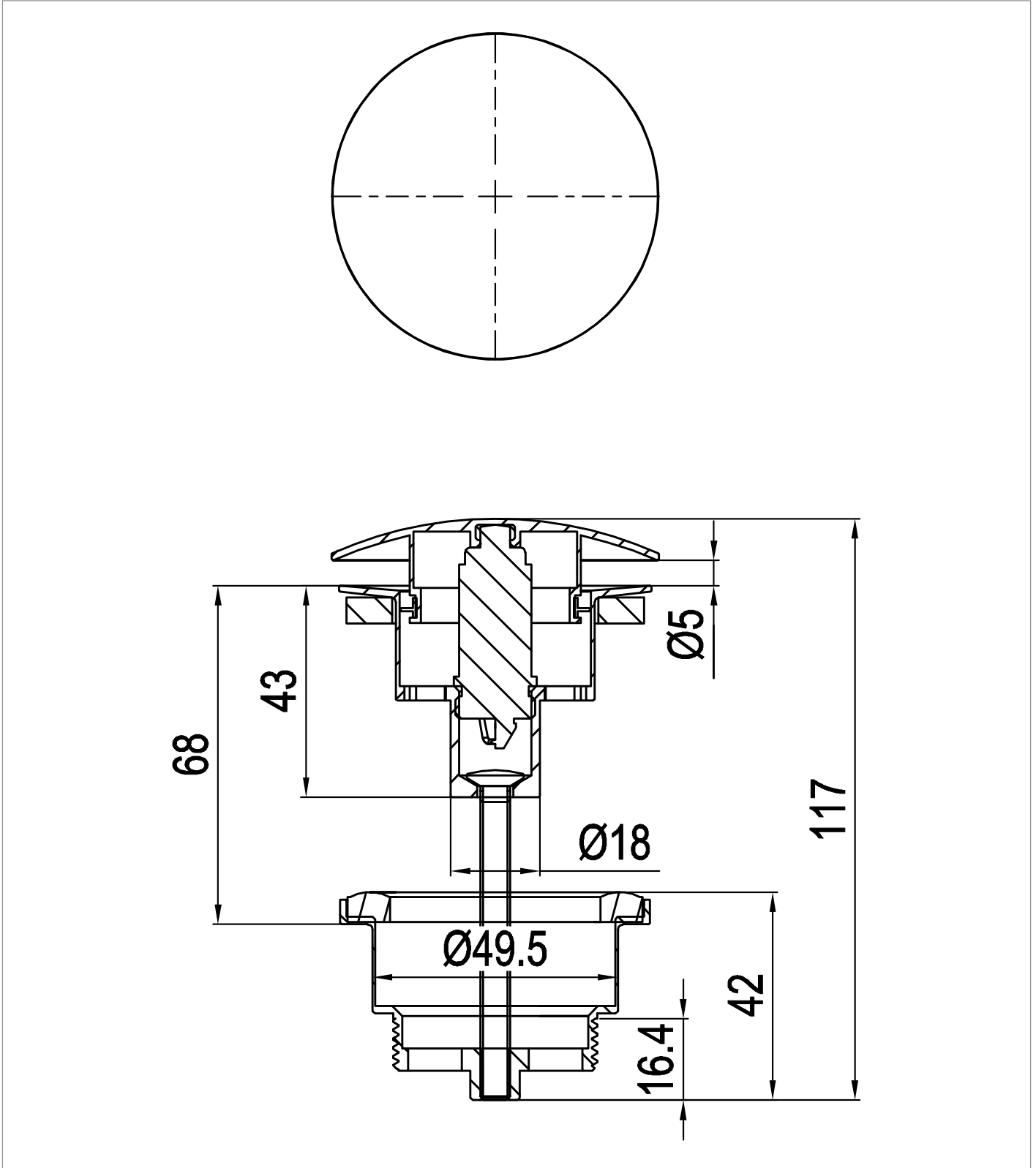
STANDARDS	BS EN 274-1:2002
NUMBER OF FUNCTIONS	1
ANTI-SCALD	No
ENERGY SAVING	No
OUTLET CONNECTIONS THREAD WASTETRAP	G1.1/4
WASTE WATER FLOW RATE	3
ADJUSTMENT (MIN - MAX)	12-60

PRESSURE (BAR)	0.2	0.5	1	2	3	4	5
PRIMARY FLOWRATE							
HANDSET FLOWRATE							
MESSAGE FLOW RATE							
AIR FLOW RATE							
WIRE FLOW RATE							
WATERFALL FLOW RATE							
MIST FLOW RATE							
HANDSPRAY FLOW RATE							

TECHNICAL DIMENSIONS

Dimensions in mm unless otherwise specified.

Tolerances (per material type) apply.



SPARES LIST

Only the parts labelled are available as spares.

NO SPARES AVAILABLE