

PRODUCT DATA SHEET



PRODUCT CODE

UB112DNU

RANGE

Union

DESCRIPTION

Union Tall Mono Union Brass

CATEGORY	Brassware
WARRANTY DETAILS	15 Years
COLOUR	Union Brass
FINISH APPLICATION	Electroplated
PRIMARY MATERIAL	Brass
INSTALL TYPE	Deck Mounted
PRODUCT WIDTH MM	50
PRODUCT HEIGHT MM	267
PRODUCT LENGTH MM	202
PRODUCT NET WEIGHT KG	2.6
MINIMUM PRESSURE (BAR)	1
MAX WORKING PRESSURE (BAR)	5

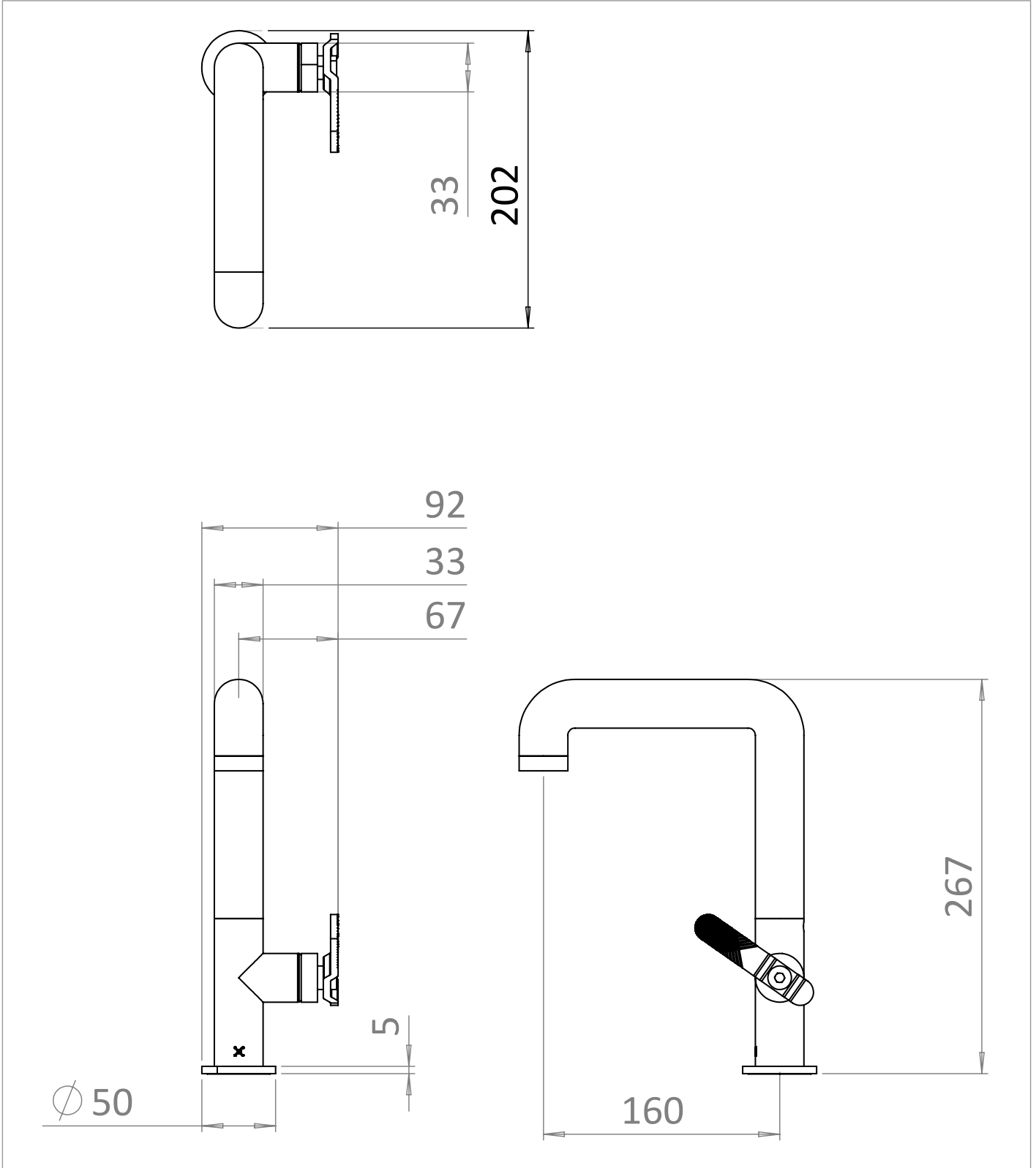
STANDARDS	BS EN 200:2008
APPROVAL	KIWA - 2308766
NUMBER OF OUTLETS	1
HEADWORK	25mm Single lever ceramic cartridge
SPOUT PROJECTION	160
SWIVEL SPOUT	No
INLET CONNECTIONS THREAD	G1/2"
OUTLET CONNECTIONS THREAD	M24x1
FLOW REGULATOR	Neoperl Perlator Coin Slot
WASTE INCLUDED	No
ANTI-SCALD	No
ENERGY SAVING	No

PRESSURE (BAR)	0.2	0.5	1	2	3	4	5
PRIMARY FLOWRATE			3.3	4.4	4.5	4.5	4.5
HANDSET FLOWRATE							
MASSAGE FLOW RATE							
AIR FLOW RATE							
WIRE FLOW RATE							
WATERFALL FLOW RATE							
MIST FLOW RATE							
HANDSPRAY FLOW RATE							

TECHNICAL DIMENSIONS

Dimensions in mm unless otherwise specified.

Tolerances (per material type) apply.



SPARES LIST

Only the parts labelled are available as spares.

SPARES AVAILABLE UPON REQUEST