

PRODUCT DATA SHEET



PRODUCT CODE

VE003BZ

RANGE

Velo

DESCRIPTION

Velo Tumbler Holder Brushed Bronze

WEBSITE LINK

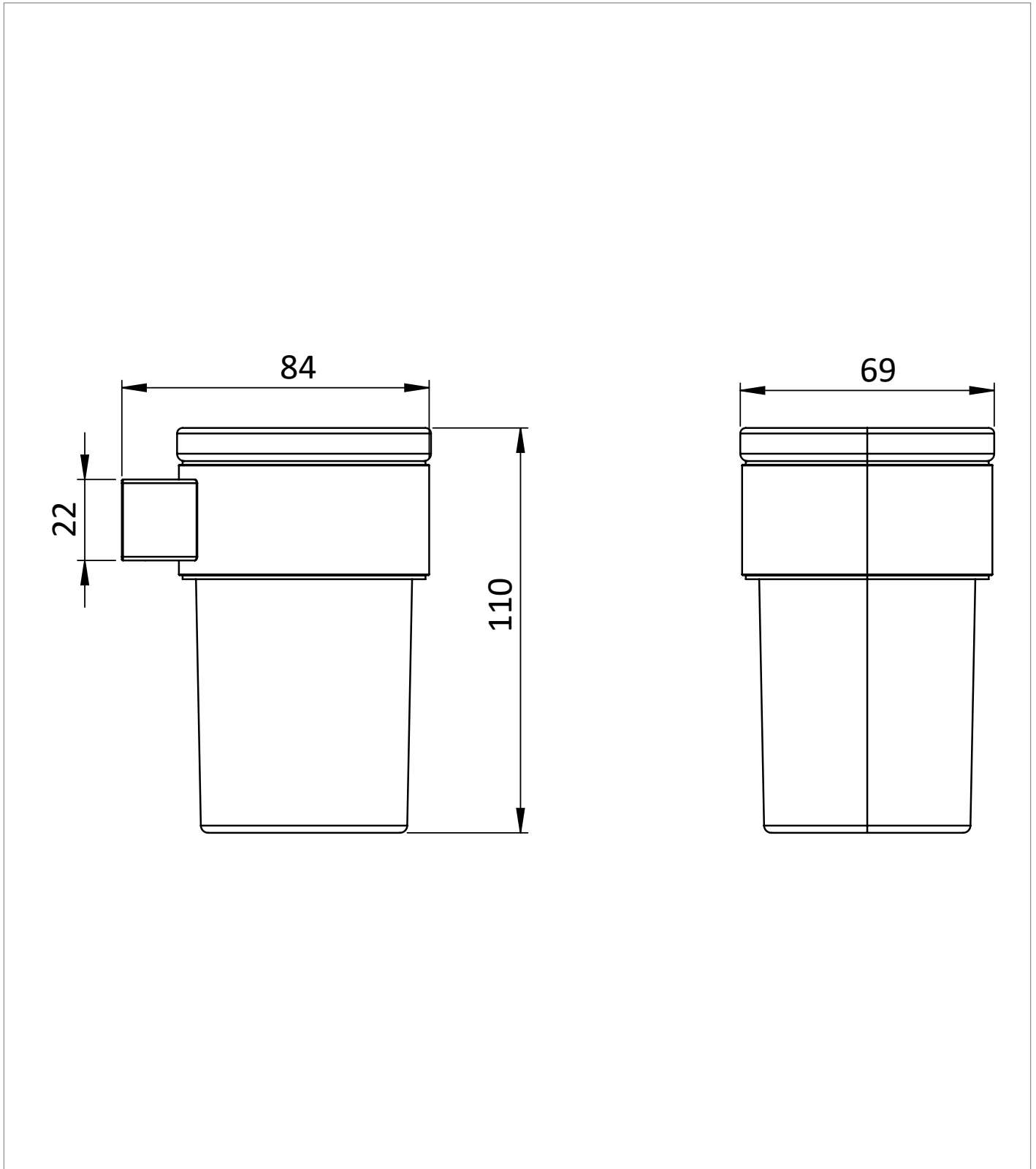
[Click Here](#)

CATEGORY	Accessories
WARRANTY DETAILS	15 Years
COLOUR	Brushed Bronze
FINISH APPLICATION	PVD
PRIMARY MATERIAL	Brass
SECONDARY MATERIAL	Zamac
INSTALL TYPE	Wall Mounted
PRODUCT WIDTH MM	69
PRODUCT HEIGHT MM	110
PRODUCT DEPTH MM	84
PRODUCT NET WEIGHT KG	0.97

TECHNICAL DIMENSIONS

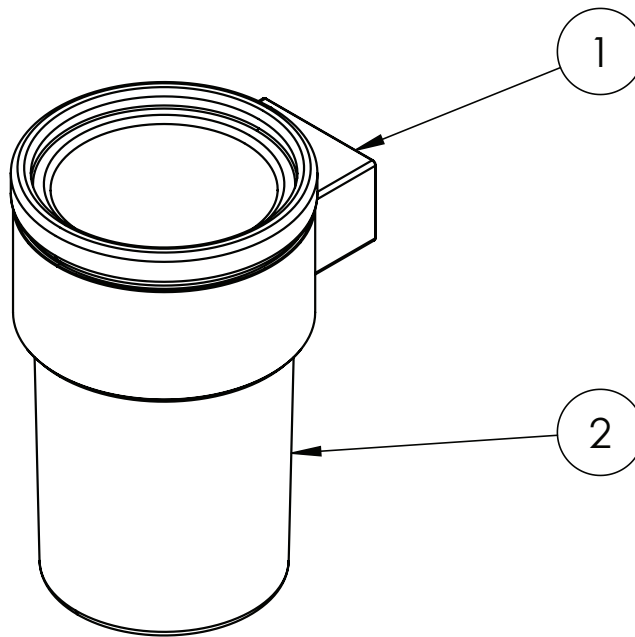
Dimensions in mm unless otherwise specified.

Tolerances (per material type) apply.



SPARES LIST

Only the parts labelled are available as spares.



NUMBER	PART CODE	DESCRIPTION
1	VE00003	Velo Wall Mounting Plate for VE003/VE011/VE029
2	VE00004	Velo Glass Tumbler for VE003