

# PRODUCT DATA SHEET



## PRODUCT CODE

VE003M

## RANGE

Velo

## DESCRIPTION

Velo Tumbler Holder Matt Black

## WEBSITE LINK

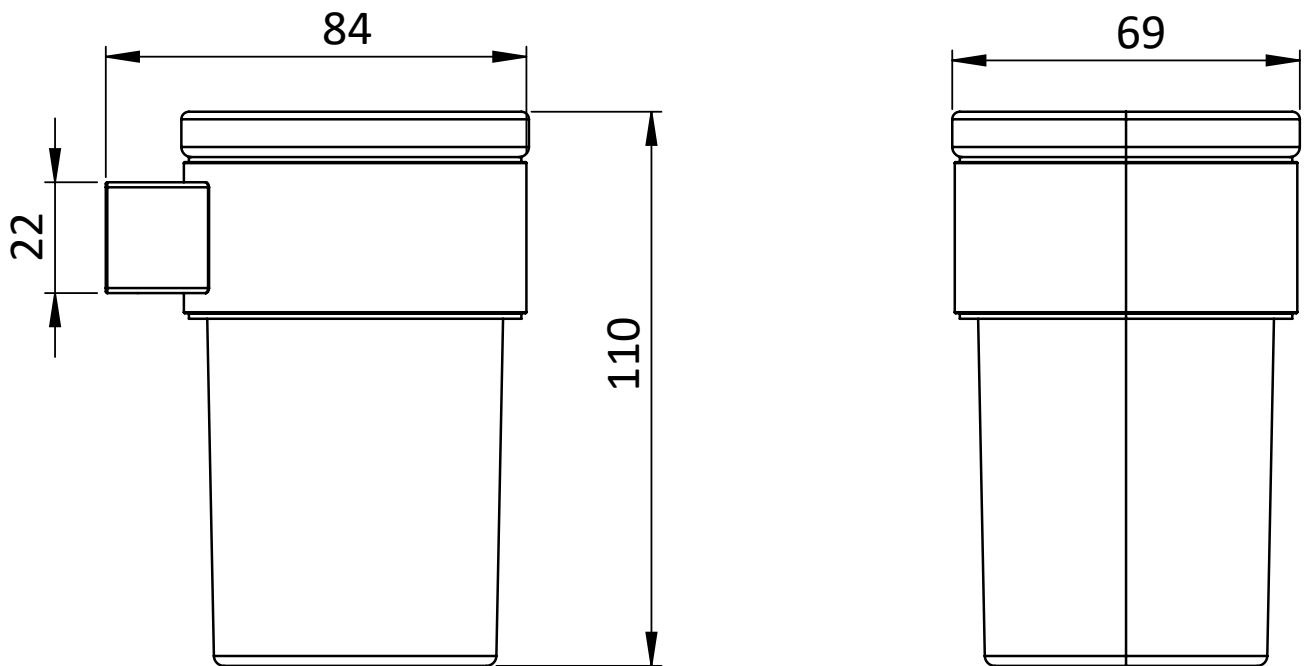
[Click Here](#)

CATEGORY	Accessories
WARRANTY DETAILS	15 Years
COLOUR	Matt Black
FINISH APPLICATION	Immersion Plating
PRIMARY MATERIAL	Brass
SECONDARY MATERIAL	Zamac
INSTALL TYPE	Wall Mounted
PRODUCT WIDTH MM	69
PRODUCT HEIGHT MM	110
PRODUCT DEPTH MM	84
PRODUCT NET WEIGHT KG	0.97

## TECHNICAL DIMENSIONS

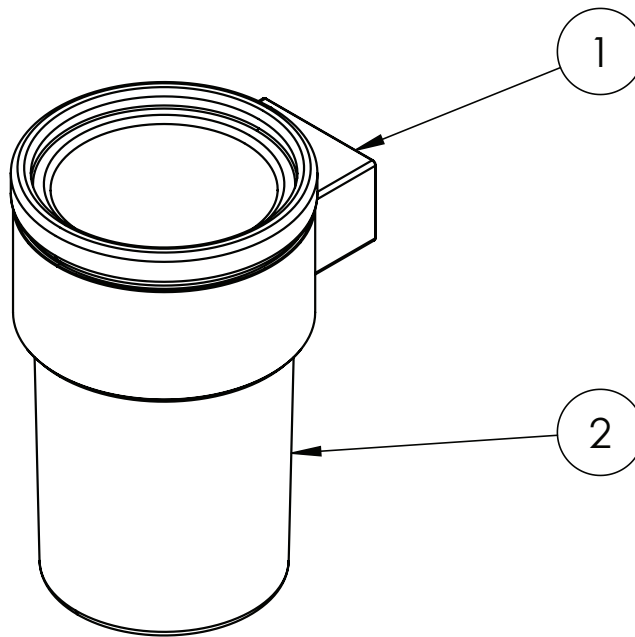
Dimensions in mm unless otherwise specified.

Tolerances (per material type) apply.



## SPARES LIST

Only the parts labelled are available as spares.



NUMBER	PART CODE	DESCRIPTION
1	VE00003	Velo Wall Mounting Plate for VE003/VE011/VE029
2	VE00004	Velo Glass Tumbler for VE003