

PRODUCT DATA SHEET



PRODUCT CODE

VE011F

RANGE

Velo

DESCRIPTION

Velo Soap Dispenser Brushed Brass

WEBSITE LINK

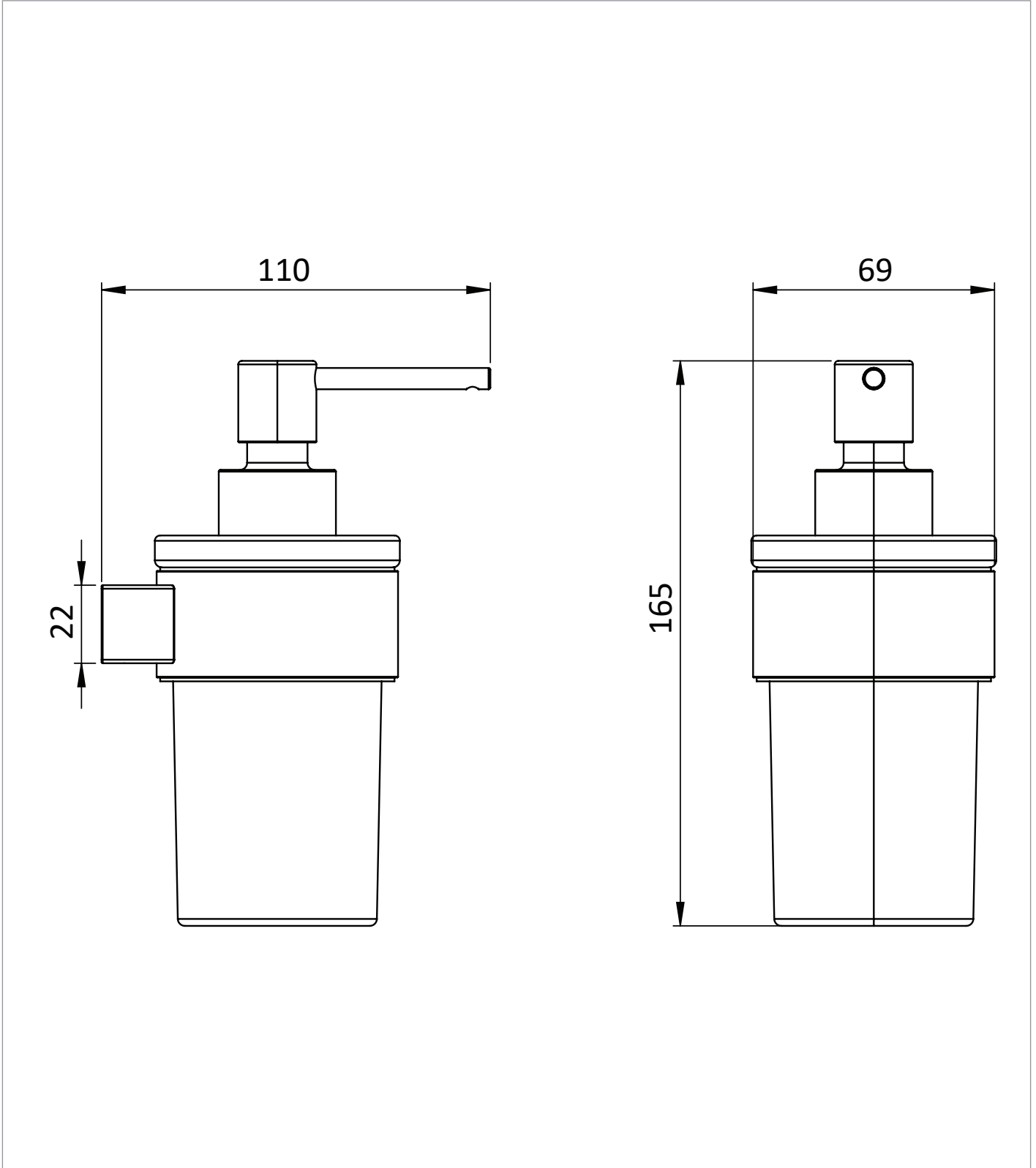
[Click Here](#)

CATEGORY	Accessories
WARRANTY DETAILS	15 Years
COLOUR	Brushed Brass
FINISH APPLICATION	PVD
PRIMARY MATERIAL	Brass
INSTALL TYPE	Wall Mounted
PRODUCT WIDTH MM	69
PRODUCT HEIGHT MM	165
PRODUCT DEPTH MM	110
PRODUCT NET WEIGHT KG	1.52

TECHNICAL DIMENSIONS

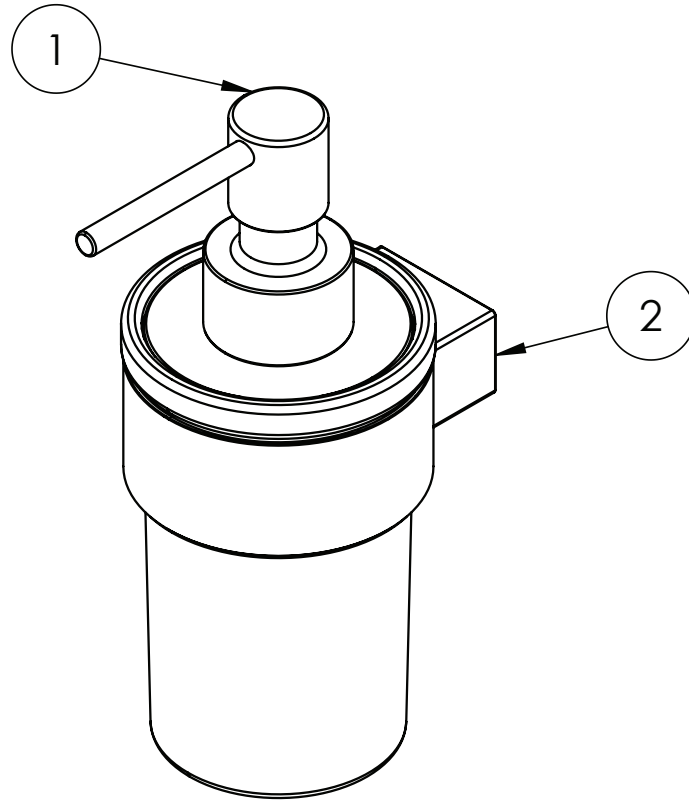
Dimensions in mm unless otherwise specified.

Tolerances (per material type) apply.



SPARES LIST

Only the parts labelled are available as spares.



NUMBER	PART CODE	DESCRIPTION
1	VE00007C	Velo Spray Head For Soap Dispenser for VE011C
	VE00007M	Velo Spray Head For Soap Dispenser VE011M Matt Black
	VE00007V	Velo Spray Head For Soap Dispenser VE011V Brushed Nickel
	VE00007F	Velo Spray Head For Soap Dispenser VE011F Brushed Brass
	VE00007BZ	Velo Spray Head For Soap Dispenser VE011BZ Brushed Bronze
	VE00007T	Velo Spray Head For Soap Dispenser VE011T Slate
2	VE00003	Velo Wall Mounting Plate for VE003/VE011/VE029