

PRODUCT DATA SHEET



PRODUCT CODE

VE029C

RANGE

Velo

DESCRIPTION

Velo Toilet Roll Holder Chrome

WEBSITE LINK

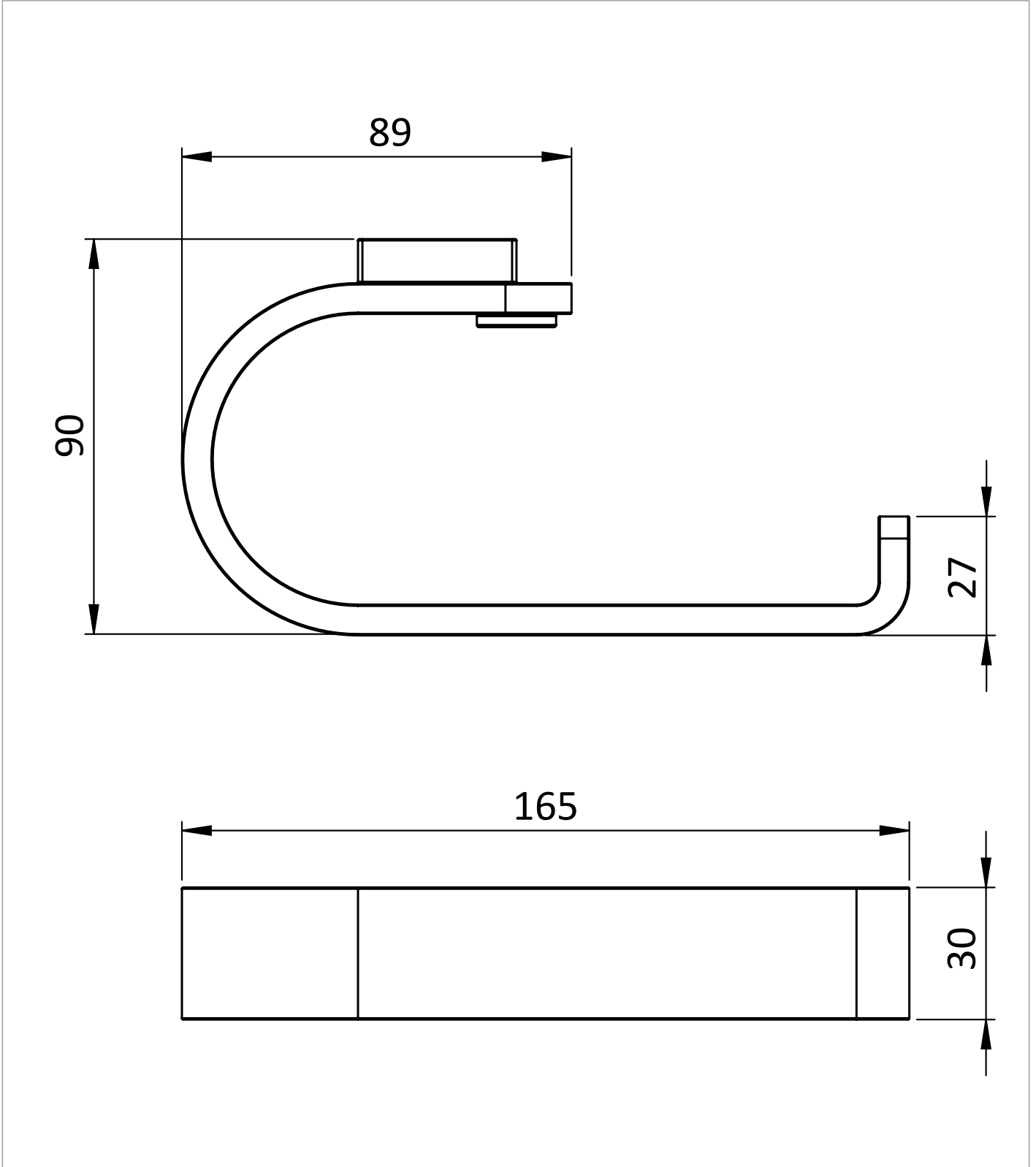
[Click Here](#)

CATEGORY	Accessories
WARRANTY DETAILS	15 Years
COLOUR	Chrome
FINISH APPLICATION	Electroplated
PRIMARY MATERIAL	Brass
INSTALL TYPE	Wall Mounted
PRODUCT WIDTH MM	165
PRODUCT HEIGHT MM	30
PRODUCT DEPTH MM	90
PRODUCT NET WEIGHT KG	0.8

TECHNICAL DIMENSIONS

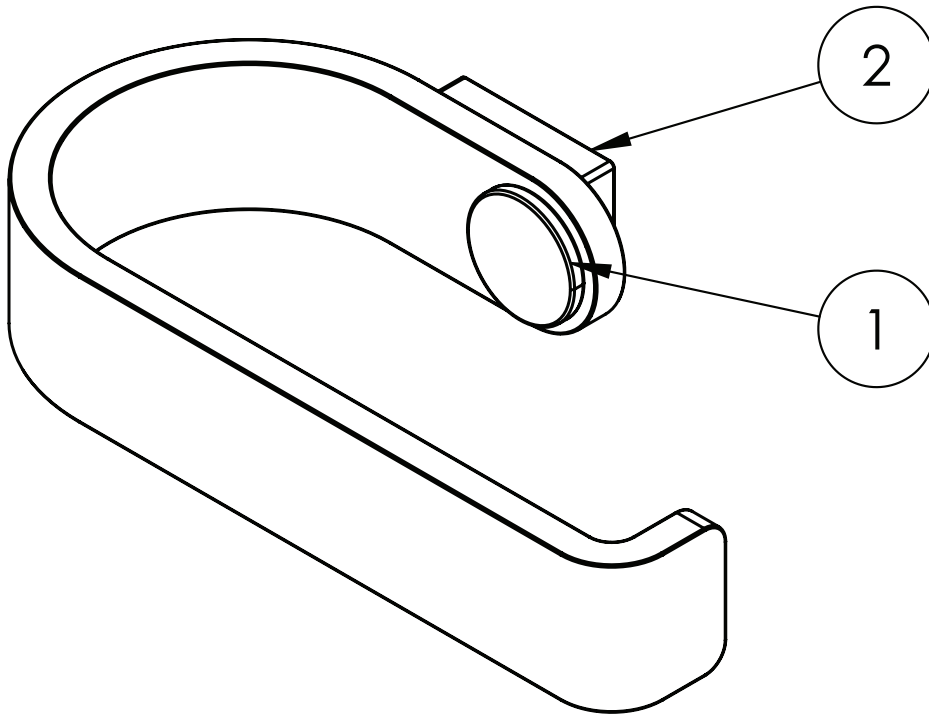
Dimensions in mm unless otherwise specified.

Tolerances (per material type) apply.



SPARES LIST

Only the parts labelled are available as spares.



NUMBER	PART CODE	DESCRIPTION
1	VE00005C	Velo Decoration Cap for VE021C/VE029C
	VE00005M	Velo Decoration Cap for VE021M/VE029M Matt Black
	VE00005V	Velo Decoration Cap for VE021V/VE029V Brushed Nickel
	VE00005F	Velo Decoration Cap for VE021F/VE029F Brushed Brass
	VE00005BZ	Velo Decoration Cap for VE021BZ/VE029BZ Brushed Bronze
	VE00005T	Velo Decoration Cap for VE021T/VE029T Slate
2	VE00003	Velo Wall Mounting Plate for VE003/VE011/VE029