

PRODUCT DATA SHEET



PRODUCT CODE

VE040V

RANGE

Velo

DESCRIPTION

Velo Tray Soap Dispenser & Tumbler Holder Brushed Nickel

WEBSITE LINK

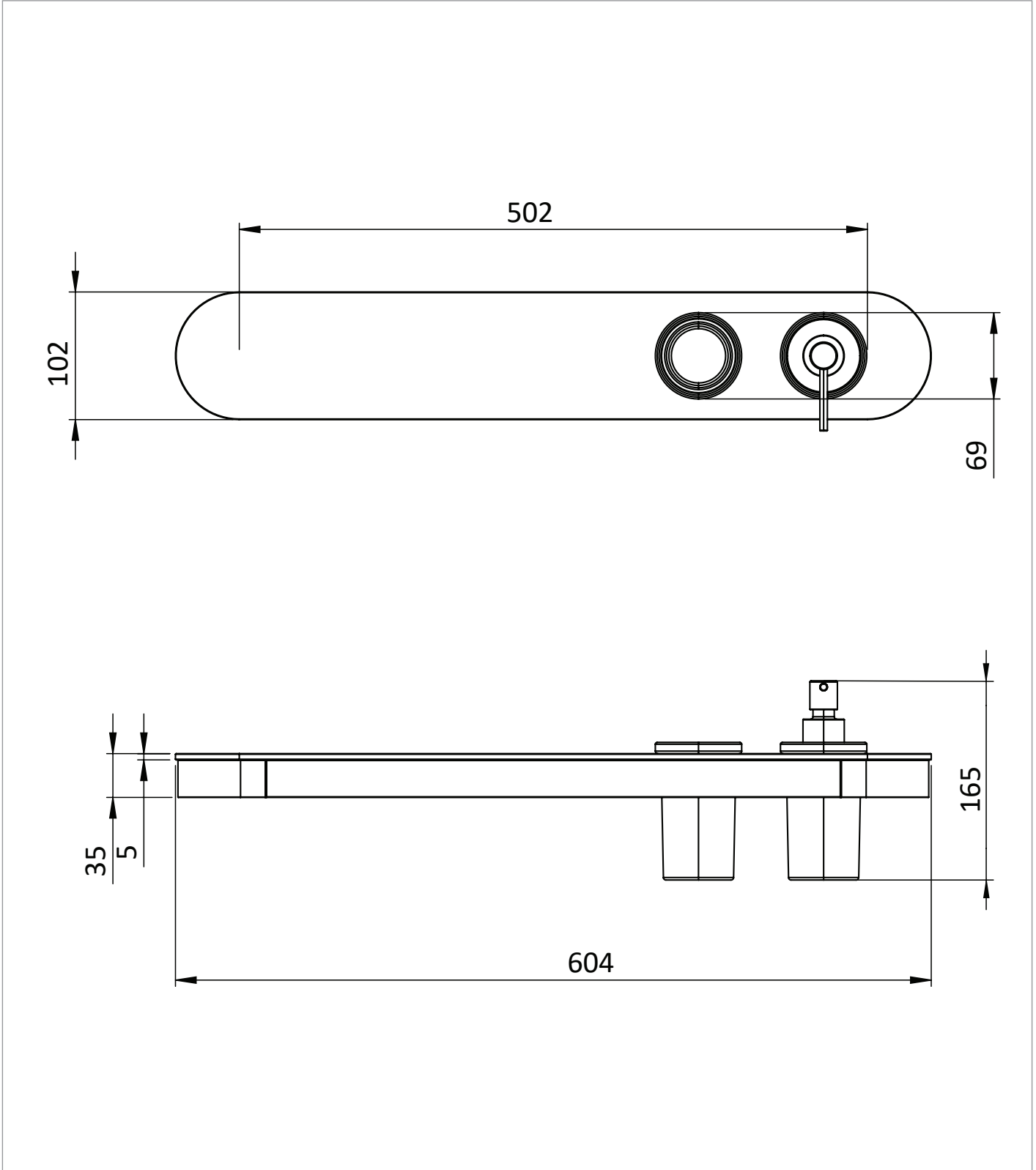
[Click Here](#)

CATEGORY	Accessories
WARRANTY DETAILS	15 Years
COLOUR	Brushed Nickel
FINISH APPLICATION	PVD
PRIMARY MATERIAL	Brass
SECONDARY MATERIAL	Glass
INSTALL TYPE	Wall Mounted
PRODUCT WIDTH MM	600
PRODUCT HEIGHT MM	165
PRODUCT LENGTH MM	100
PRODUCT DEPTH MM	102
PRODUCT NET WEIGHT KG	0.98

TECHNICAL DIMENSIONS

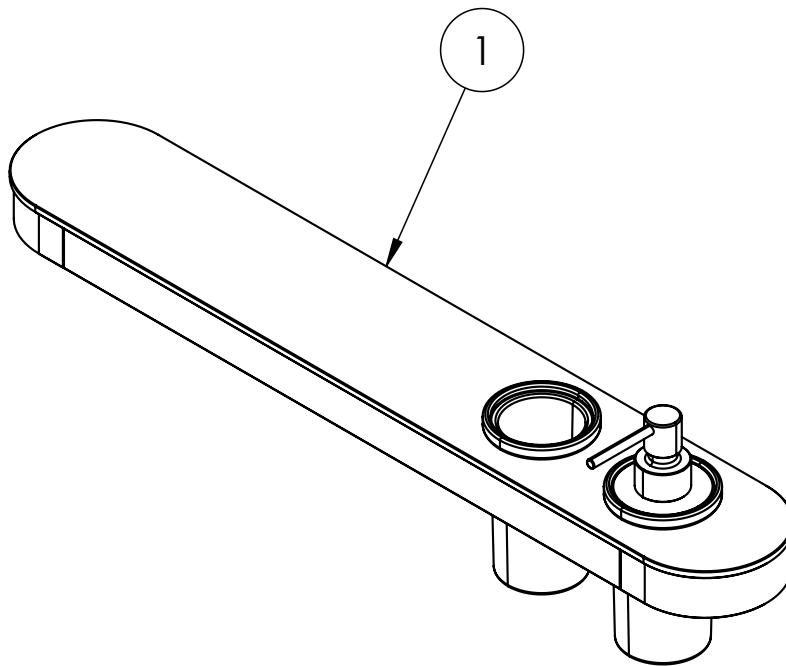
Dimensions in mm unless otherwise specified.

Tolerances (per material type) apply.



SPARES LIST

Only the parts labelled are available as spares.



NUMBER	PART CODE	DESCRIPTION
1	7019044_142	Velo Shelf 600mm