

PRODUCT DATA SHEET



PRODUCT CODE

VTR800X1400G

RANGE

25mm Vito

DESCRIPTION

Vito Rectangle Shower Tray 800 x 1400
25mm Matt Grey

WEBSITE LINK

[Click Here](#)

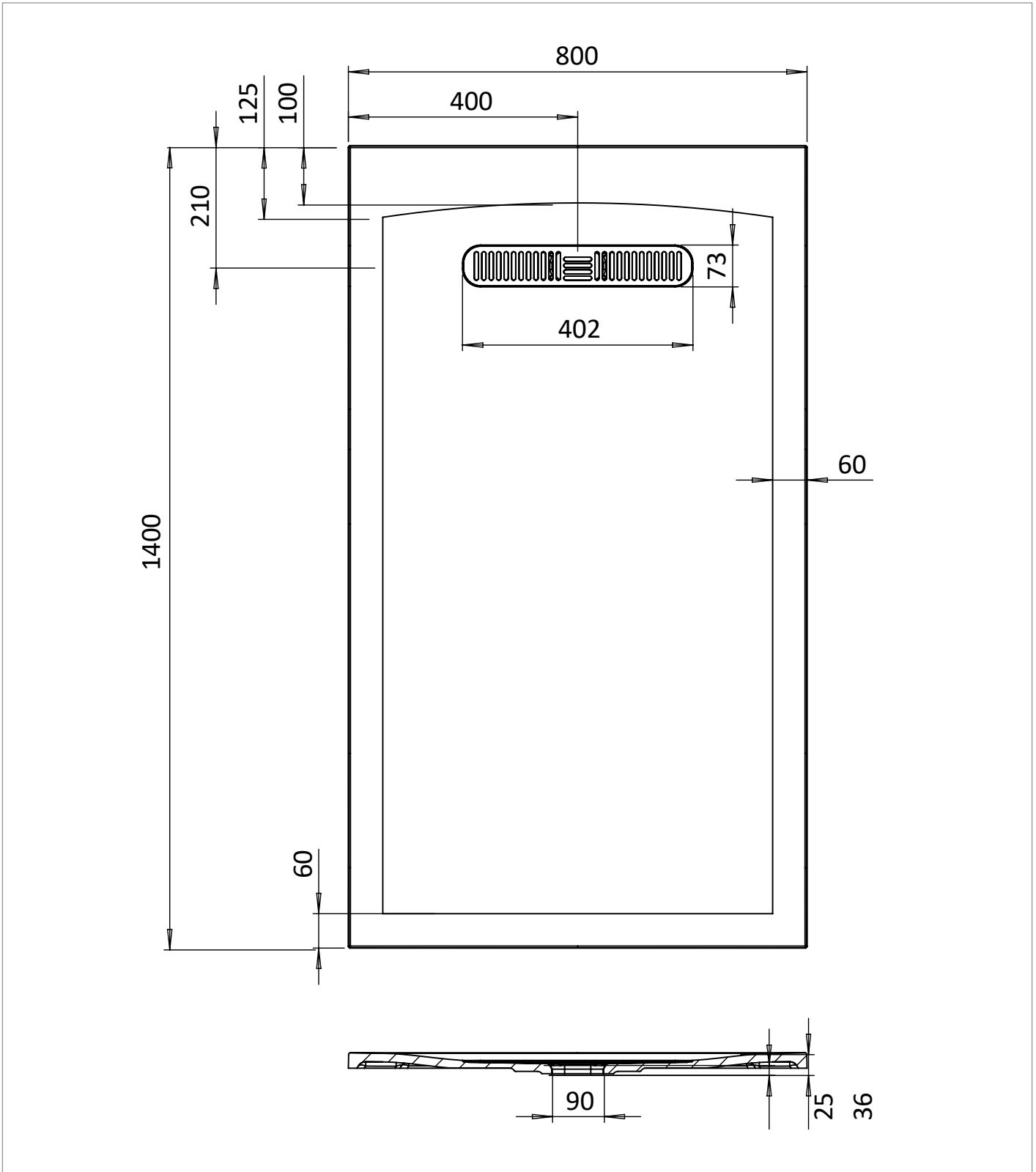
CATEGORY	Showering
WARRANTY DETAILS	Lifetime
COLOUR	Matt Grey
FINISH APPLICATION	Gelcoat/Nanocoat
PRIMARY MATERIAL	Dolomite
SECONDARY MATERIAL	Stone Resin
INSTALL TYPE	Floor Mounted
PRODUCT WIDTH MM	800
PRODUCT HEIGHT MM	25
PRODUCT LENGTH MM	1400
PRODUCT NET WEIGHT KG	37.94

STANDARDS	EN 14527:2016+A1:2018
WASTE INCLUDED	No
WASTE WATER FLOW RATE LPM	32
OUTER EDGE DIMENSION - TRAYS (MM)	60
WASTE LOCATION	End drain
ANTI-SLIP CLASS	Class A DIN 51097
WASTE SHAPE	Rectangular
DRYING AREA	No
RISER KIT COMPATIBLE	Yes
RISER KIT INCLUDED	No
TRAY PLANE TOLERANCE (MM)	+3/-3 mm
TRAY WIDTH TOLERANCE MM	+5/0 mm
TRAY LENGTH TOLERANCE MM	+5/0 mm
TRAY HEIGHT TOLERANCE MM	+2/-2 mm
TRAY WASTE HOLE TOLERANCE MM	+1/-1 mm

TECHNICAL DIMENSIONS

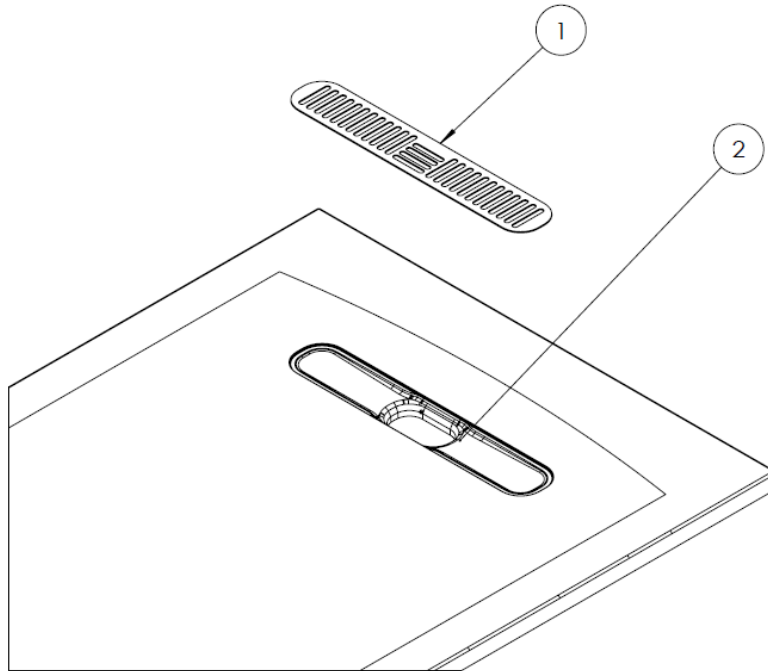
Dimensions in mm unless otherwise specified.

Tolerances (per material type) apply.



SPARES LIST

Only the parts labelled are available as spares.



NUMBER	PART CODE	DESCRIPTION
1	VITOWASTEW	Vito Shower Waste Cover White
	VITOWASTEMW	Vito Shower Waste Cover Matt White
	VITOWASTEBR	Vito Textured Shower Waste Flange Brown
	VITOWASTELG	Vito Shower Waste Cover Grey
	VITOWASTEMB	Vito Shower Waste Cover Matt Black
	VITOWASTEG	Vito Shower Waste Cover Grey
2	VITOFLANGE	Vito Shower Waste Flange White
	VITOFLANGEBR	Vito Textured Shower Waste Cover Brown
	VITOFLANGELG	Vito Textured Shower Waste Cover Light Grey
	VITOFLANGEMB	Vito Shower Waste Flange Matt Black
	VITOFLANGEG	Vito Shower Waste Flange Grey
	MINERALPOLISH	Cast Mineral Marble Polishing Compound
	MINERALREPAIRKITWG	Cast Mineral Marble Repair Kit White Gloss
	MINERALTOUCHKITWG	Cast Mineral Marble Touch Up Kit White Gloss