

PRODUCT DATA SHEET



PRODUCT CODE

WCC46X39R

RANGE

Toilet Cisterns

DESCRIPTION

Dual Flush Concealed Cistern (with discharge pipe & installation kit)

WEBSITE LINK

[Click Here](#)

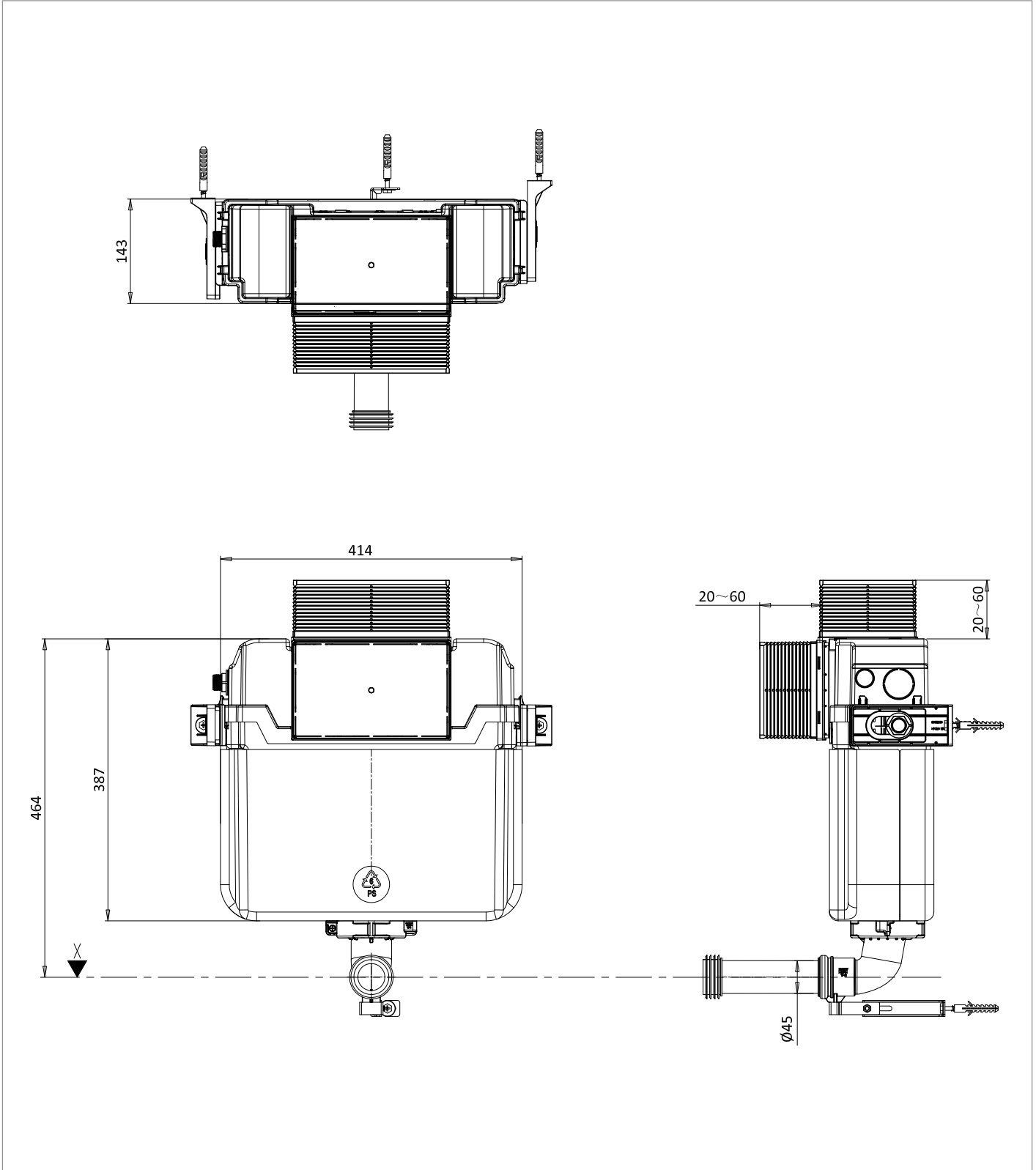
| | |
|-----------------------|--------------|
| CATEGORY | Sanitaryware |
| WARRANTY DETAILS | 5 Years |
| PRIMARY MATERIAL | Plastic |
| INSTALL TYPE | Wall Mounted |
| PRODUCT WIDTH MM | 414 |
| PRODUCT HEIGHT MM | 387 |
| PRODUCT LENGTH MM | 143 |
| PRODUCT NET WEIGHT KG | 2.93 |

| | |
|-------------------------|--|
| STANDARDS | BS EN 14055:2018 |
| APPROVAL | WRAS - 2303396 |
| FIXINGS INCLUDED | Yes |
| FLUSH VOLUME | 6/4L |
| FIXING TYPE | Wall Mounted fixing |
| CISTERN FLUSH MECHANISM | Dual Flush with Mechanical Flush Plate |
| NOISE CLASS | Group I |

TECHNICAL DIMENSIONS

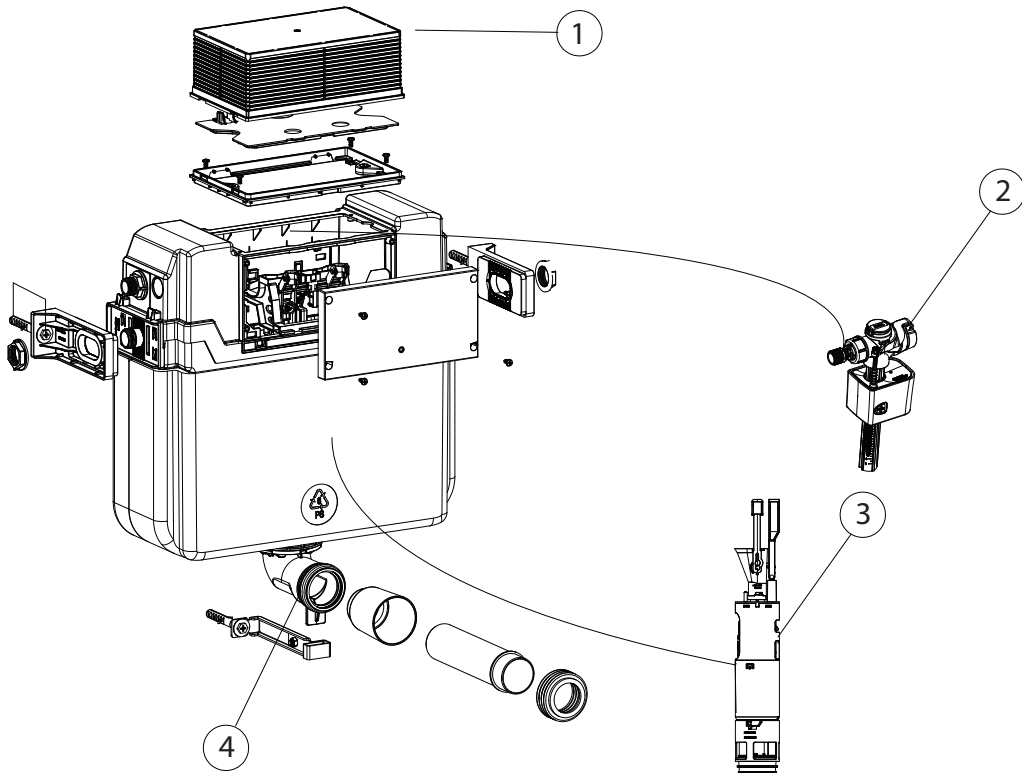
Dimensions in mm unless otherwise specified.

Tolerances (per material type) apply.



SPARES LIST

Only the parts labelled are available as spares.



| NUMBER | PART CODE | DESCRIPTION |
|--------|-----------|---|
| 1 | CWSP008 | Flush plate mounting assembly for WCC46X39R/WCF80X45R/WCF98X45R |
| 2 | CWSP020 | Replacement fill valve for WCC46X39R/WCF80X45R/WCF98X45R |
| 3 | CWSP024 | Replacement flush valve for WCC46X39R/WCF80X45R/WCF98X45R |
| 4 | CWSP028 | Replacement waste pipe for concealed frames |