

# PRODUCT DATA SHEET



## PRODUCT CODE

WCF114X50R

## RANGE

Toilet Cisterns

## DESCRIPTION

Slim Depth WC Support Frame 1.12M Height (with dual flush concealed cistern & installation kit)

## WEBSITE LINK

[Click Here](#)

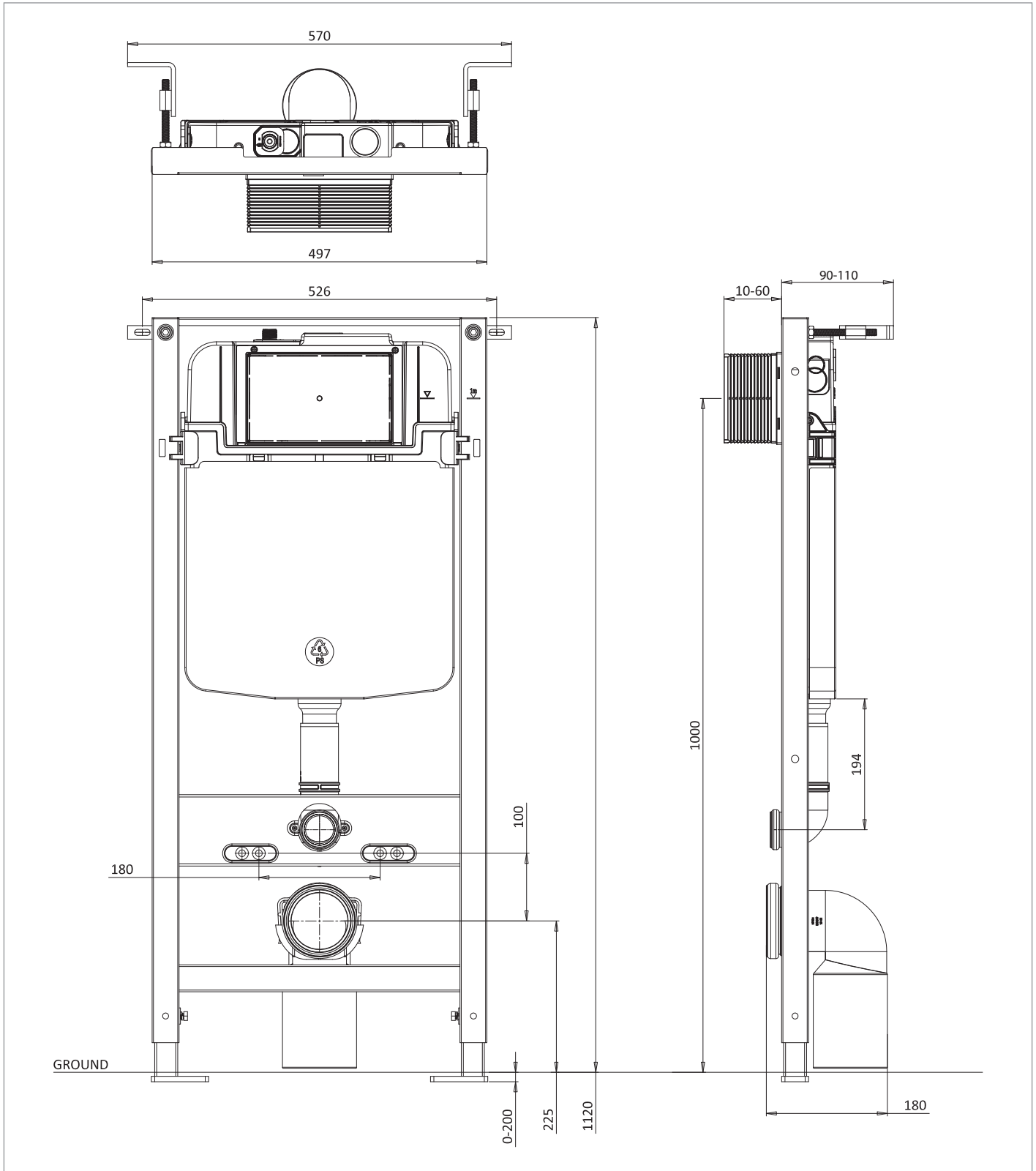
CATEGORY	Sanitaryware
WARRANTY DETAILS	5 Years
PRIMARY MATERIAL	Steel
SECONDARY MATERIAL	Plastic
INSTALL TYPE	Floor Standing
PRODUCT WIDTH MM	497
PRODUCT HEIGHT MM	1120
PRODUCT LENGTH MM	81
PRODUCT NET WEIGHT KG	13.02

STANDARDS	BS EN 14055:2018
APPROVAL	WRAS - 2212365
FIXINGS INCLUDED	Yes
FLUSH VOLUME	6/3L
FIXING TYPE	Floor fixing
CISTERN FLUSH MECHANISM	Dual Flush with Mechanical Flush Plate
NOISE CLASS	Group I

## TECHNICAL DIMENSIONS

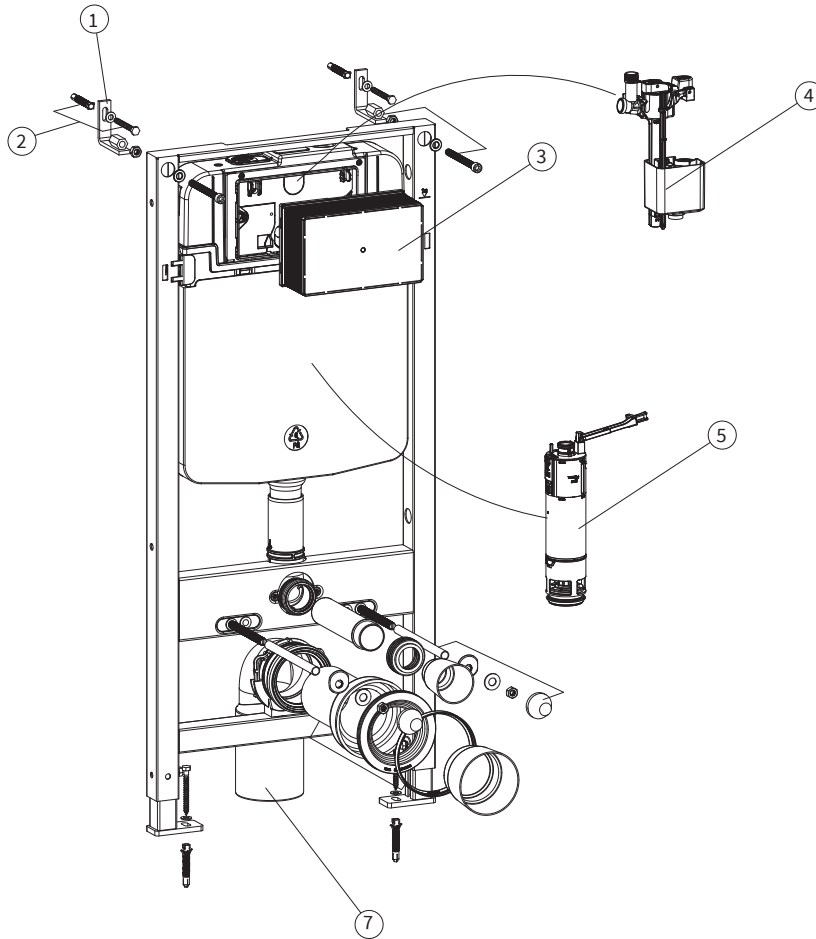
Dimensions in mm unless otherwise specified.

Tolerances (per material type) apply.



## SPARES LIST

Only the parts labelled are available as spares.



NUMBER	PART CODE	DESCRIPTION
1	CWSP002	Replacement fixing bracket for WCF114X50R
2	CWSP004	Replacement expansion bolt for concealed frames
3	CWSP011	Flush plate mounting assembly for WCF114X50R
4	CWSP022	Replacement fill valve for WCF114X50R
5	CWSP025	Replacement flush valve for WCF114X50R
6	CWSP027	Replacement flush rod for concealed cisterns and frames
7	CWSP028	Replacement waste pipe for concealed frames