

# PRODUCT DATA SHEET



## PRODUCT CODE

WCF114X51R

## RANGE

Toilet Cisterns

## DESCRIPTION

WC Support Frame 1.12M Height (with dual flush concealed cistern & installation kit)

## WEBSITE LINK

[Click Here](#)

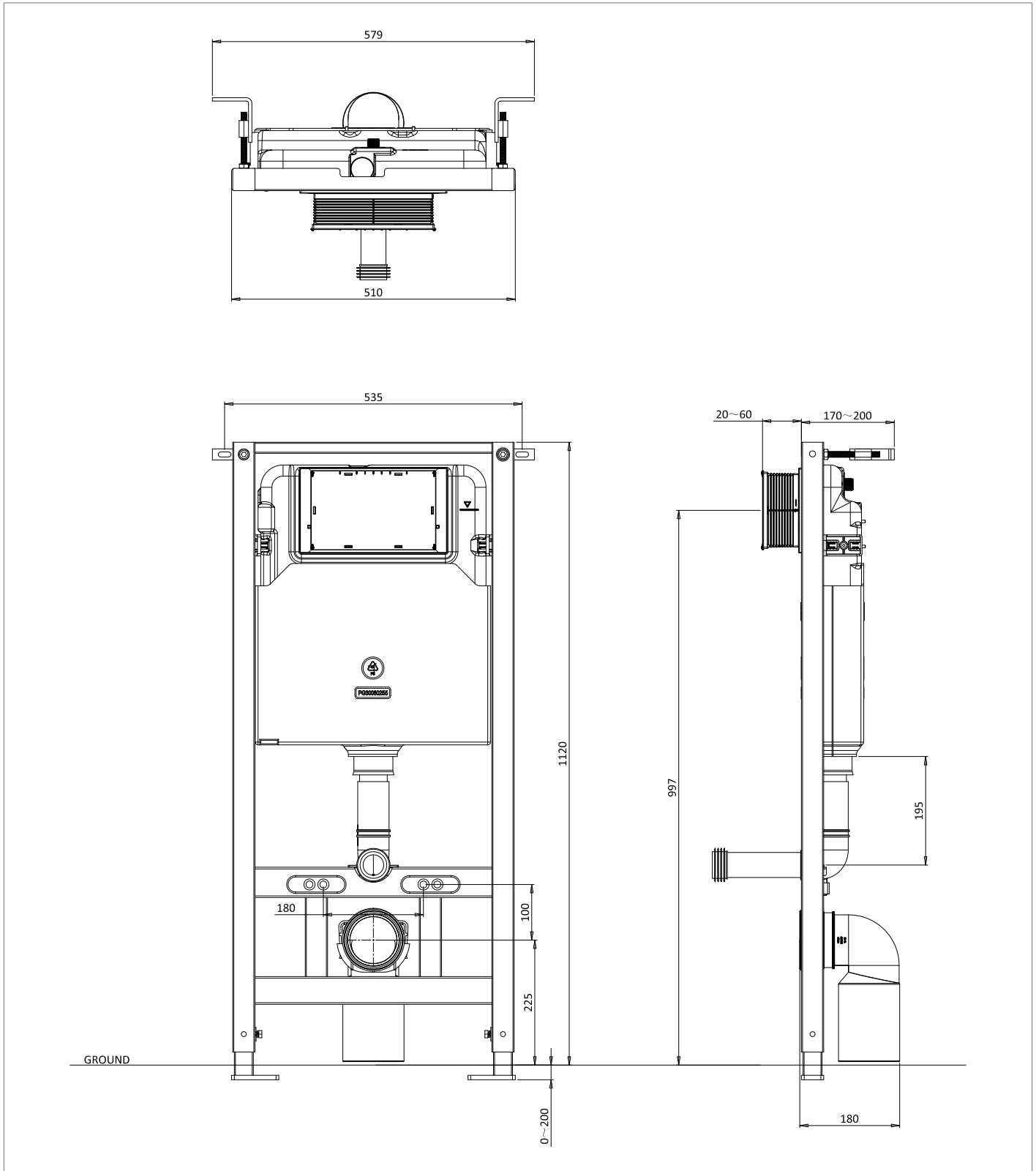
CATEGORY	Sanitaryware
WARRANTY DETAILS	5 Years
PRIMARY MATERIAL	Steel
SECONDARY MATERIAL	Plastic
INSTALL TYPE	Floor Standing
PRODUCT WIDTH MM	510
PRODUCT HEIGHT MM	1120
PRODUCT NET WEIGHT KG	16.99

STANDARDS	BS EN 14055:2018
APPROVAL	WRAS - 2212365
FIXINGS INCLUDED	Yes
FLUSH VOLUME	6/4L
FIXING TYPE	Floor fixing
CISTERN FLUSH MECHANISM	Dual Flush with Mechanical Flush Plate
NOISE CLASS	Group I

## TECHNICAL DIMENSIONS

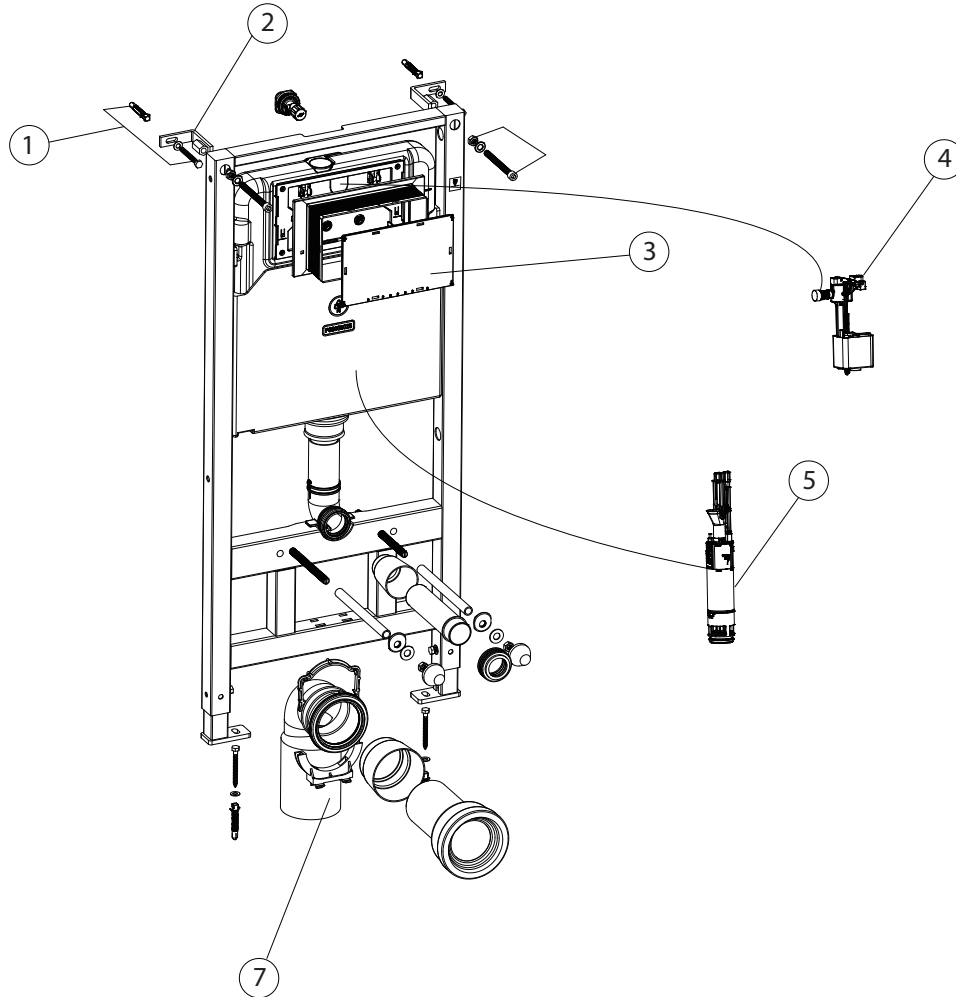
Dimensions in mm unless otherwise specified.

Tolerances (per material type) apply.



## SPARES LIST

Only the parts labelled are available as spares.



NUMBER	PART CODE	DESCRIPTION
1	CWSP001	Replacement fixing bracket for WCF80X45R/WCF98X45R/WCF114X51R
2	CWSP004	Replacement expansion bolt for concealed frames
3	CWSP009	Flush plate mounting assembly for WCF114X51R
4	CWSP021	Replacement fill valve for WCF114X51R
5	CWSP024	Replacement flush valve for WCC46X39R/WCF80X45R/WCF98X45R
6	CWSP027	Replacement flush rod for concealed cisterns and frames
7	CWSP028	Replacement waste pipe for concealed frames