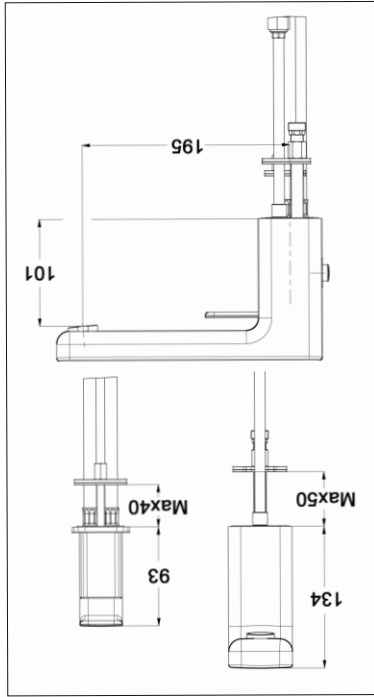


All dimensions in millimeters



## DIMENSIONS

This product should only be fitted by a qualified plumber to NVQ (National Vocational Qualification) or SNVQ (Scottish National Vocational Qualification)

Level 3. Should the installation be completed by a non-qualified person then the guarantee may be considered invalid. For a claim made under our warranty written certification of your installers credentials can be required. For further information or to find a qualified installer in your area please visit the Institute of Plumbers website - [www.iphe.org.uk](http://www.iphe.org.uk).

## THE QUALIFICATIONS

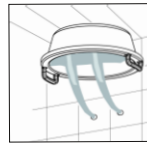
At present, to be a plumber you need to follow the National Vocational Qualification (NVQ) route (Scottish National Vocational Qualification - SNVQ - in Scotland). These qualifications are made up of theory and practical work in the classroom/purpose built training facility and work based experience with a working plumber. Colleges should help students find a work placement, although many students organise it themselves.

The S/NVQ qualification works in levels. All recently qualified plumbers should hold S/NVQ Level 2 as basic with Level 3 as the preferred level. Level 2 will give you the foundation you need for a career in plumbing and teach you domestic plumbing to a satisfactory level. Level 3 is more comprehensive and deals with domestic, commercial and industrial plumbing along with aspects such as gas - if you want to one day set up your own business, this is the level to reach. The Institute of Plumbing and Heating Engineering, and the industry as a whole recommends that all plumbers reach a minimum of Level 3.

Reaching Level 3 has other advantages. The Institute runs a Master Plumber Certificate, which only those attaining Level 3 or equivalent can reach as long as they have the relevant experience as well. Those with S/NVQ Level 3 can (once in membership with the Institute for five years as a Member MIPHE) gain Engineering Technician EngTech status with the Engineering Council (UK).

For any further information please contact Crosswater on: 0845 873 8840 or visit our web-site at [www.crosswater.co.uk](http://www.crosswater.co.uk)

The manufacturer reserves the right to make technical modifications without prior notice.



- Clean Carefully The Water Pipes Before Installing The Tap  
- Installation Performed By Qualified Personnel Only!

**WARNING**  
required.  
the incoming mains and turn the boiler off and non return valves are not supplied. Where combination boilers are fitted it is only necessary to shut off on both hot and cold pipes as possible to the tap. These are not supplied from a tank and cold from the mains, non return valves are fitted. These taps are double flow. Water bylaws require that where the hot water Preparation and bylaw requirements  
Standard 5412:1996 where applicable.  
the Water Bylaws Scheme and comply with requirements of British All products are manufactured using materials tested and approved under Approvals

claimable under the warranty.  
installation process, incorrect maintenance or misuse and as a result not be Defects notified after fitting may be regarded as damage resulting from the - On receipt of this product the chrome finish must be checked for - if the above mentioned conditions (see points 1,2,3,4) are not observed, the product may not correctly work or not work at all.

5. Warning:
4. We recommend installing filters to this product.
3. Maximum hot water temperature : 80°C
2. Maximum test pressure: 5 Bar
1. Recommended working pressure: 1 Bar

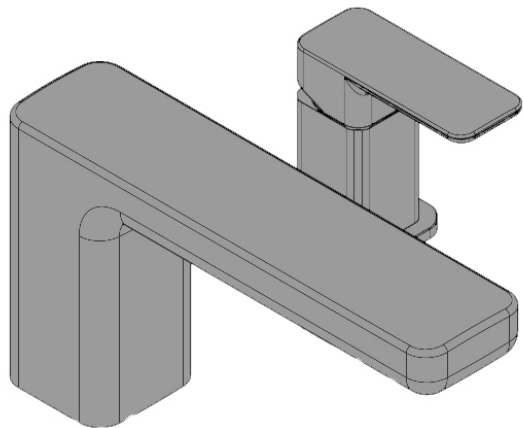
Standard specifications  
damaging the ceramic disc.  
important that all pipe work is flushed thoroughly after installation to avoid balanced pressures then the tap will not function correctly. It is also necessary to fit non-return valves on both hot and cold feeds. It is very hot and cold water are separated) and should therefore be supplied with hot and cold water at balanced pressures, both from the tank or both from the contained in their bylaws. All of the taps in this range are double flow (the The installation must comply with regulations of the Local Water Authority as General Installation Requirements

Please read these instructions carefully and keep in a safe place for future reference.

## INTRODUCTION

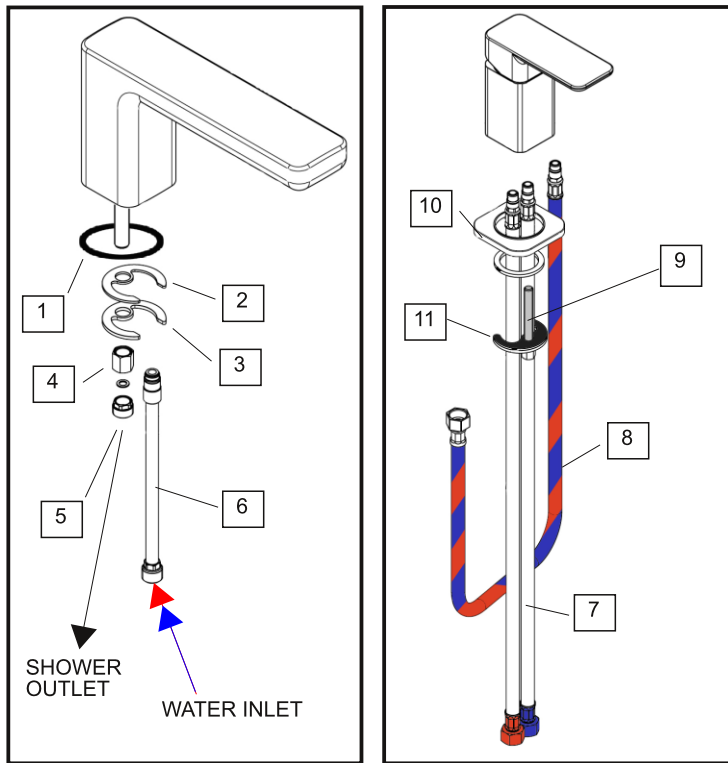
## DECK MOUNTED BATHTUBE MIXER

AT421DC



## INSTALLATION INSTRUCTION

## INSTALLATION



AT421DC

## INSTALLATION



First shut off your water heating system then, with you remains stop cock closed, open the Lowest hot and cold taps in the house and allow to run until the cold storage tank and pipes are empty (the hot water storage cylinder airways remains full). Where combination boilers are fitted it is only necessary to turn off the boiler and shut off the incoming mains. Fitting isolating valves to the inlet feeds is recommended for ease of maintenance.

**Remember to turn off the mains water supply before connecting to any existing pipe work. Flush the piping with plenty of water prior to installation.**

### INSTALLATION

Firstly verify that your border of bath tube is provided with correct holes (see drilling and dimensions). Foresee always a inspection panel.

**SPOUT:** placing the gasket (1) under the base, insert spout in the hole, insert the special rubber gasket (2) and metallic insert (3), now tighten the nut (4). Screw nut (5) having care to insert the gasket; screw the pipe (6) under the base of basin being careful **not to tighten with tools** but simply by hand.

**MIXER:** (See mixer assembly) Screw up the three flexi tails (7-8) to the mixer body, being careful **not to tighten with tools** but simply by hand, tighten the threaded screw (9). Insert base and gasket (10) under the base of the mixer. Then, insert the mixer in the hole from above the border making the flexi tails passing through first. Working below the border, insert the specifically shaped rubber gasket and the metallic insert (11) in the threaded screws (9). Tighten the nut, having care to position correctly the mixer onto the border of bath tube. Connect the flexi tail (8) at the pipe (6). Now connect the flexi tails (7) to the water system.

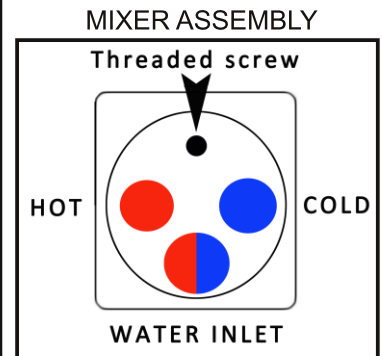
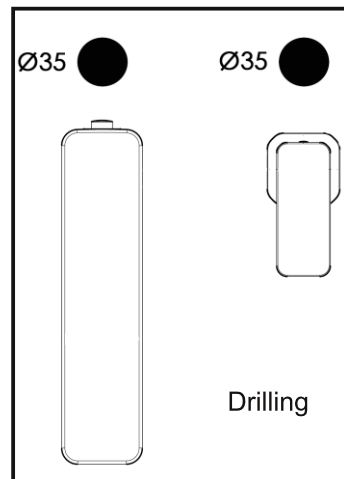
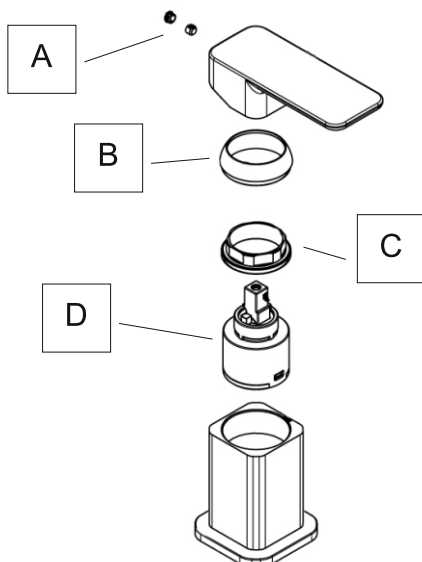
4

5

## MAINTENANCE

### CLEANING THE CARTRIDGE

The concealed cartridge should give trouble free service, but in the event of any problems, servicing is straight forward. First shut off the water supply to the tap. Pull out the cap (A) from the handle and with an allen key loosen the grub screw in handle, but do not remove it. Take off the handle, unscrew the cartridge cover (B) and carefully using a correct size spanner unscrew the retaining nut (C) and remove the cartridge (D). Wash the cartridge with clean running water and make sure that any trapped debris have been removed. Dry and lightly grease the seals (only use silicone grease) and replace the cartridge, retaining nut, cartridge cover followed by the handle.



## CLEANING

The chrome plate we use on our taps is very durable, nevertheless care should be taken when cleaning them. They should be cleaned only with warm soapy water followed by rinsing with clean water and drying with a soft cloth. All finishes are vulnerable to acid attack and some strong substances such as household cleaners, disinfectants, denture cleaners, hair dyes, wine making and photographic chemicals can cause the surface to go black or peel.

6

7