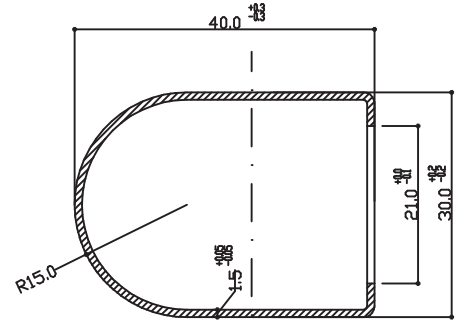


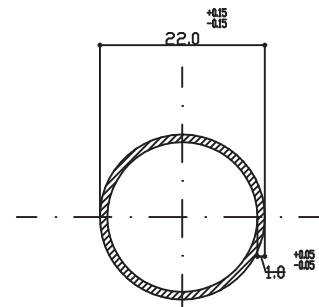
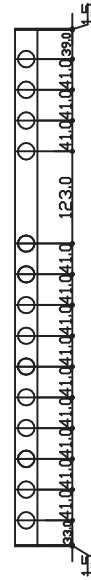
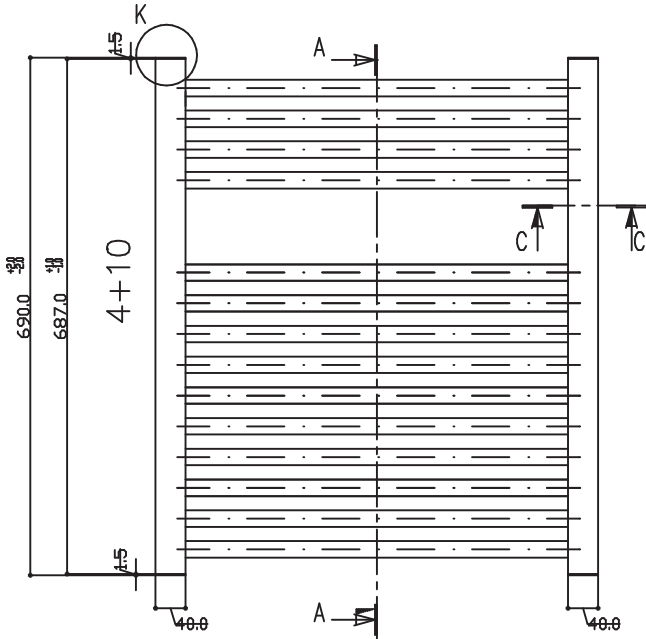
SCALE 1:2



SECTION C-C

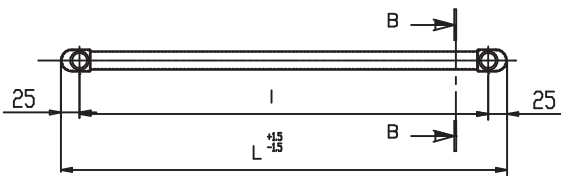
SCALE 1:1

SECTION A-A



SECTION B-B

SCALE 1:1



WIDTH 'L'	PIPE CENTRE 'I'
500	450

**bauhaus**

DESIGN

DE50X69C

Towel warmer 500w x 690h straight chrome