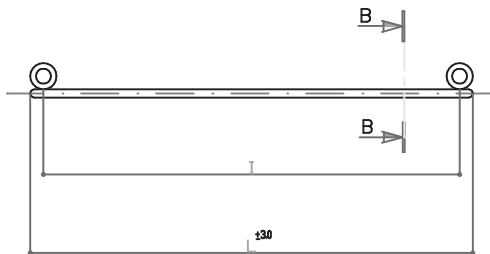
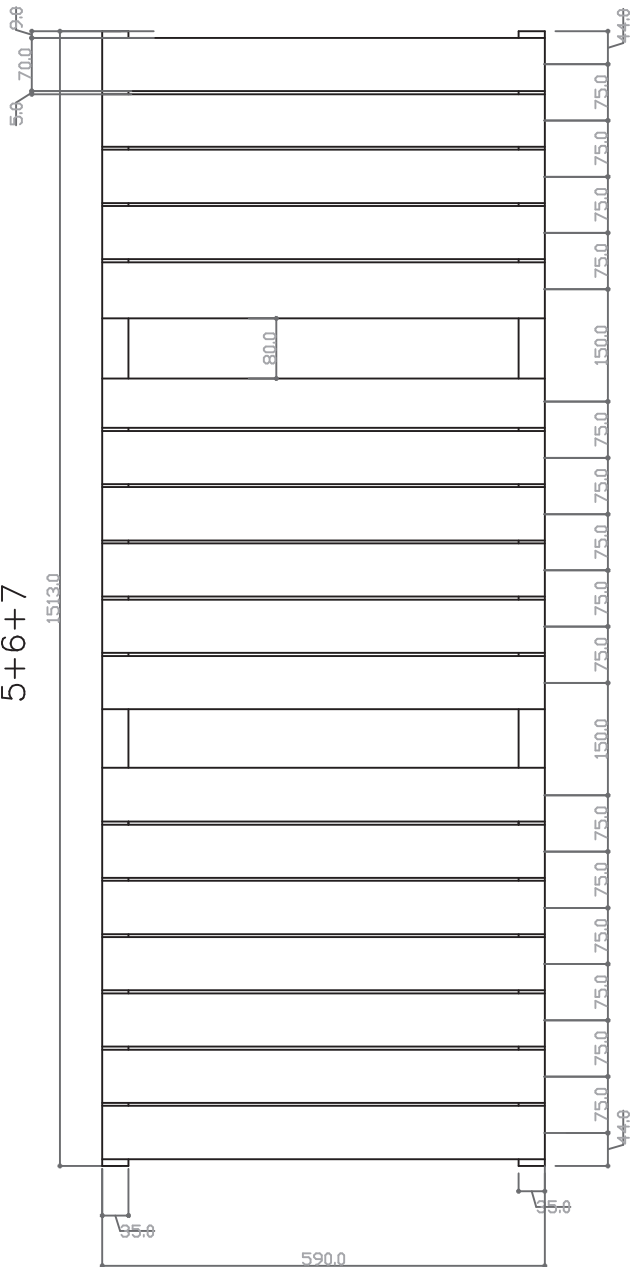
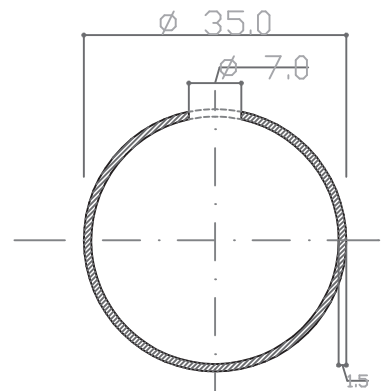
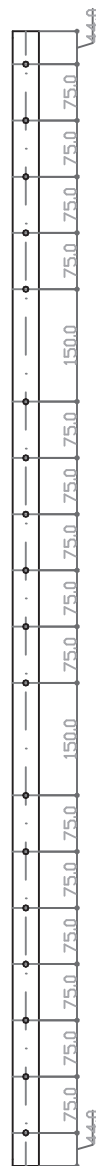


5+6+7



SECTION A-A

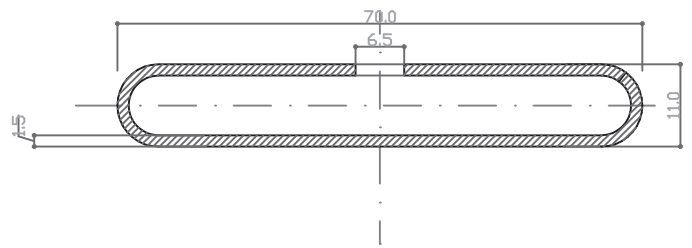


SECTION C-C

SCALE 1:1

SECTION B-B

SCALE 1:1



WIDTH 'L'	PIPE CENTRE 'I'
500	450

**bauhaus** 

ELITE

EL50X151C

Towel warmer 500w x 1510h straight chrome