

INSTALLATION INSTRUCTIONS

simpsons 

CONTENTS

IMPORTANT

Please read these instructions carefully before starting installation and keep in a safe place for future reference.

Check the contents of the pack carefully before installation. Simpsons will not be held responsible for any de-fit / re-fit costs where faulty product has been fitted.

If any fault is found with materials or workmanship, it must be reported immediately to the manufacturer. Remedial action will be taken, based on information received, on condition that: 1. Full details are supplied to the manufacturer; 2. The screen has not been modified or tampered with; 3. The manufacturer is informed of any damage/shortages prior to installation.

We do not accept responsibility for any problems that may occur through incorrect installation.

The success of the installation and operation of any bath screen is, of course, dependant on the squareness, alignment and construction of the walls to which fixing is to be carried out.

VERY IMPORTANT

You must complete all tiling and grouting, and the bath **MUST** be fully sealed to the tiles before installation. If you do not fit the bath screen onto a tiled surface, or seal the tiles to the bath before installation, water may soak into the wall behind the wall channel.

INSTALLATION

Advice and Safety

This Supreme bath screen is reversible for left or right hand fitting, simply turn the screen up side down (with the wall channel fixing holes still on the outside).

The installation instructions are based on typical use and conditions.

These hints have been prepared for your guidance, you must exercise due care at all times.

It is recommended that 2 people carry out the installation of this bath screen.

Handle glass with care. Although the glass supplied is toughened safety glass (to EN12150), impacts can damage both the glass and the frame.

Warning! Please check for any hidden pipes or cables before drilling holes in the wall.

To stop the drill bit slipping, masking tape can be applied to the tiles when preparing the holes.

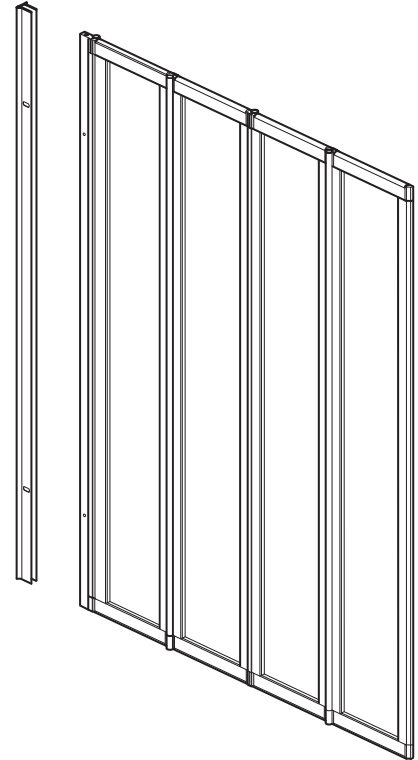
When using power tools always follow the manufacturers user instructions.

Leave the silicone sealant to dry for 24 hours before using the enclosure.

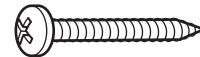
CARE AND CLEANING

Do not use solvents or abrasive materials or chemicals to clean the enclosure. Only clean using soapy water and a soft cloth, rinse thoroughly afterwards. Periodically check the fixing screws and tighten if necessary.

FOLDAWAY BATH SCREEN



A



32mm Screw x 3

B



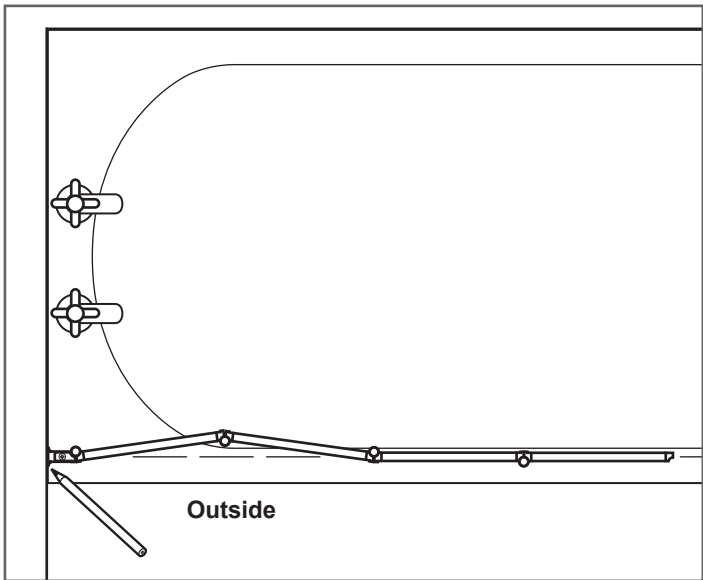
Wall plug x 3

Tools and equipment needed

Drill, 5.5mm Masonry drill bit, Phillips screwdriver, Spirit level, Pencil, Silicone sealant.

FOLDAWAY BATH SCREEN

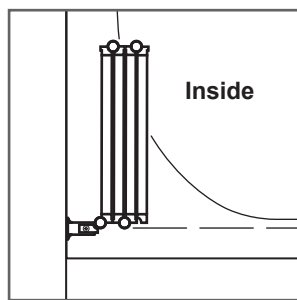
Step 1



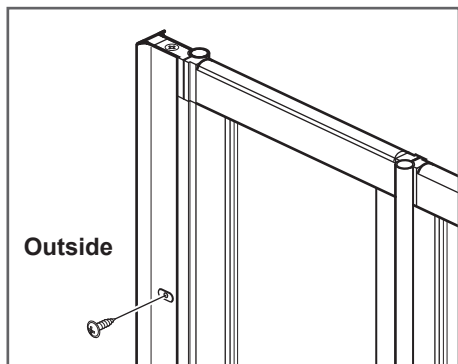
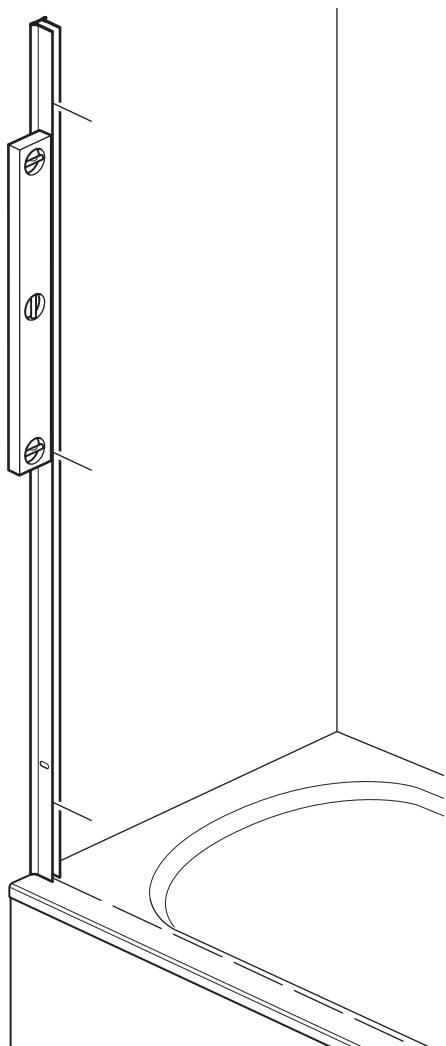
The bath screen should be positioned on the inner edge of the bath rim, as shown.

Place the assembled bath screen in position on the bath and against the wall. Mark the position of the wall channel onto the wall.

Check that when folded the bath screen positions against the wall between the edge of the bath and taps.



Step 2

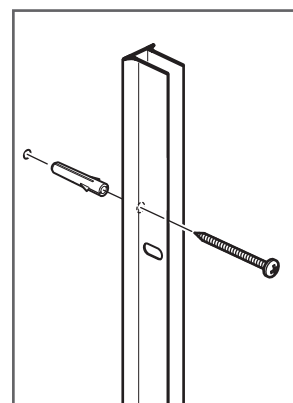
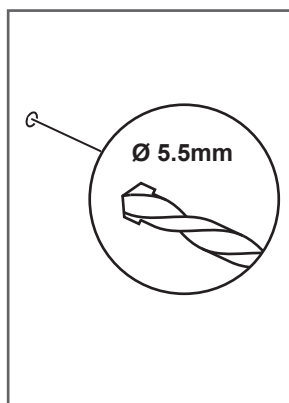
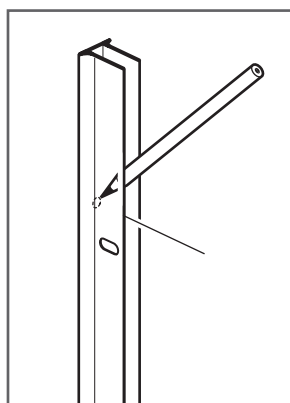


Remove the 2 screws from the side of the wall channel (keep them safe) and remove the wall channel from the bath screen.

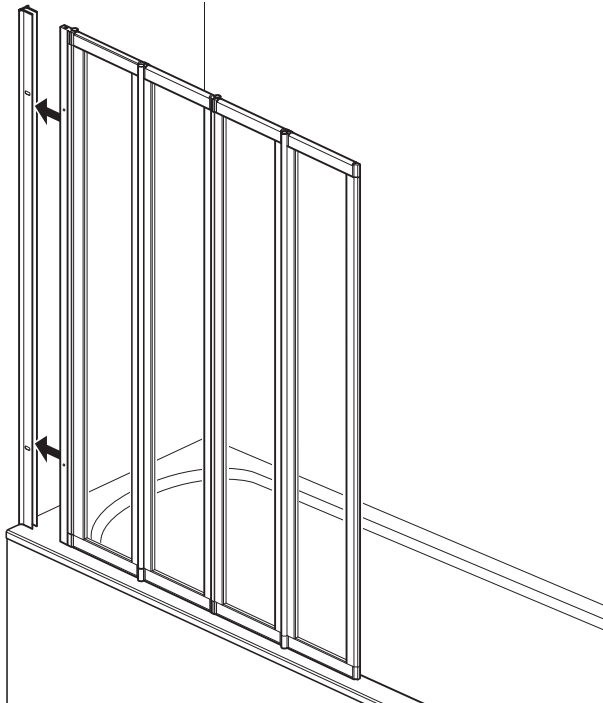
Place the wall channel in the marked position against the wall and sitting on the bath, use a spirit level to ensure it is vertical and mark all 3 fixing holes onto the wall.

Drill holes in the positions marked using a 5.5mm masonry drill bit. Insert wall plugs (B) into all of the holes (beyond the thickness of the tile). Fix the wall channel to the wall using 3 x 32mm screws (A).

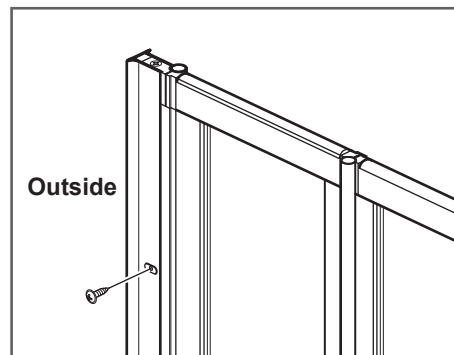
Note: Inject silicone sealant into the holes before inserting the screws to seal the holes.



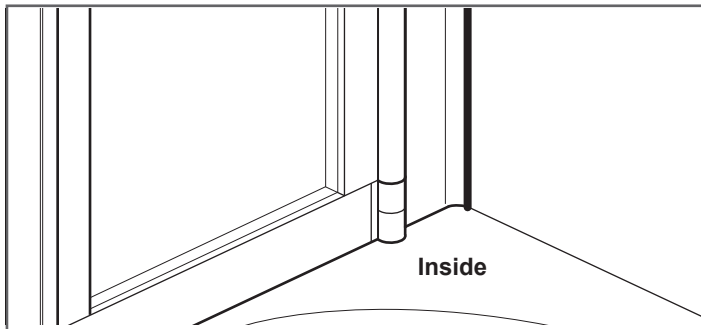
Step 3



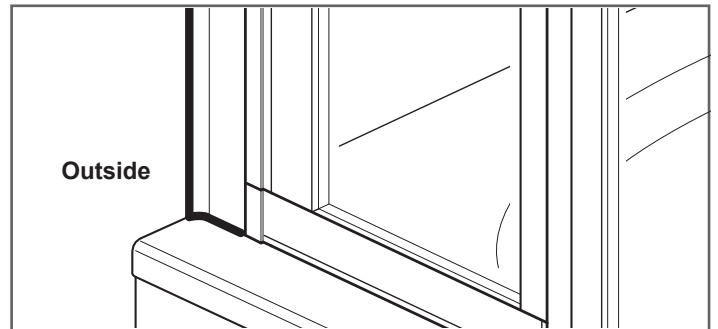
With help, push the bath screen into the wall channel. Align the holes in the bath screen with the slotted holes in the wall channel, fix securely in position using the 2 screws removed in step 2. The slotted holes in the wall channel allow the screen to be adjusted until it is level and the bottom of the water seal makes even contact along the bath rim and still allows it to move as required.



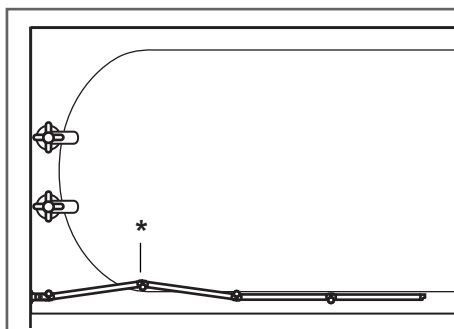
Step 4 - Finishing



Sealing: On the inside and outside, run a line of silicone sealant from top to bottom down the joint between the wall channel and tiles.



Outside only: Run a line of silicone sealant along the joint between the bottom edge of the wall channel/hinge stile and bath rim as shown.



When in use the panel nearest the wall should be angled in as shown (*).

The water seals on the top of the screen can be removed if required.

simpsons 

For any further information please contact
Simpsons on: **01483 303711**

Or visit our web-site at:
www.simpsons-enclosures.co.uk

The manufacturer reserves the right to make technical
modifications without prior notice.