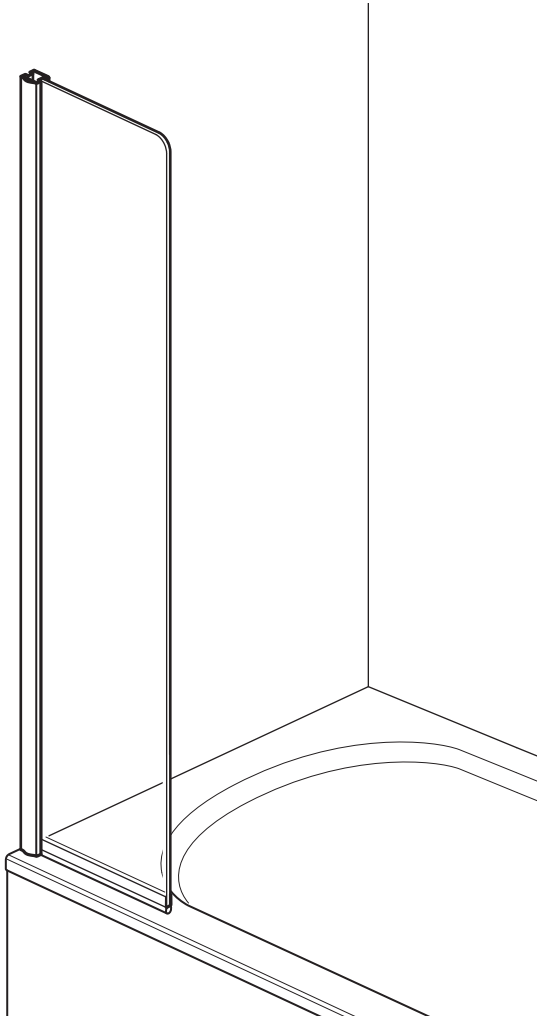


BATH GUARD

SUPREME



INSTALLATION INSTRUCTIONS

simpsons 

CONTENTS

IMPORTANT

Please read these instructions carefully before starting installation and keep in a safe place for future reference.

Check the contents of the pack carefully before installation. Simpsons will not be held responsible for any de-fit / re-fit costs where faulty product has been fitted.

If any fault is found with materials or workmanship, it must be reported immediately to the manufacturer. Remedial action will be taken, based on information received, on condition that: 1. Full details are supplied to the manufacturer; 2. The screen has not been modified or tampered with; 3. The manufacturer is informed of any damage/shortages prior to installation.

We do not accept responsibility for any problems that may occur through incorrect installation.

The success of the installation and operation of any bath screen is, of course, dependant on the squareness, alignment and construction of the walls to which fixing is to be carried out.

VERY IMPORTANT

You must complete all tiling and grouting, and the bath **MUST** be fully sealed to the tiles before installation. If you do not fit the bath screen onto a tiled surface, or seal the tiles to the bath before installation, water may soak into the wall behind the wall channel.

INSTALLATION - Advice and safety

This Supreme bath screen is reversible for left or right hand fitting, simply turn the wall channel and hinge stile up side down.

The installation instructions are based on typical use and conditions.

These hints have been prepared for your guidance, you must exercise due care at all times.

It is recommended that 2 people carry out the installation of this bath screen.

Handle glass with care. Although the glass supplied is toughened safety glass (to EN12150), impacts can damage both the glass and the frame.

Warning! Please check for any hidden pipes or cables before drilling holes in the wall.

To stop the drill bit slipping, masking tape can be applied to the tiles when preparing the holes.

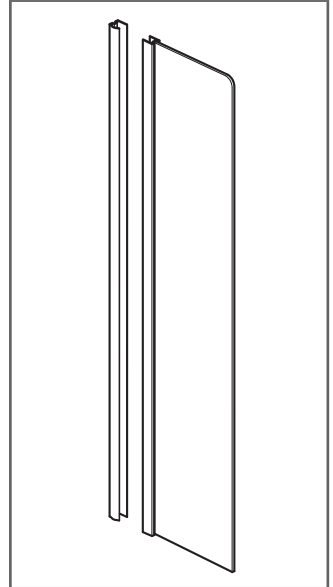
When using power tools always follow the manufacturers user instructions. Leave the silicone sealant to dry for 24 hours before using the screen.





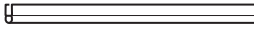
CARE AND CLEANING

Do not use solvents or abrasive materials or chemicals to clean the enclosure.

Only clean using soapy water and a soft cloth, rinse thoroughly afterwards.

BATH GUARD



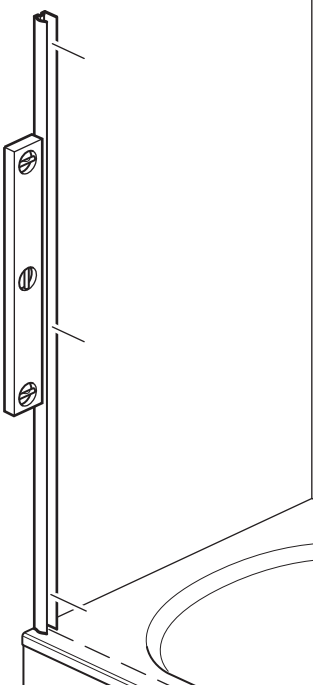
A		10mm Screw x 3
B		38mm Screw x 3
C		Wall plug x 3
D		Screw covers x 3
E		Water seal (may come fitted) x 1

Tools and equipment needed

Drill, 5.5mm Masonry drill bit, 3mm General drill bit, Phillips screwdriver, Spirit level, Pencil, Silicone sealant.

BATH GUARD

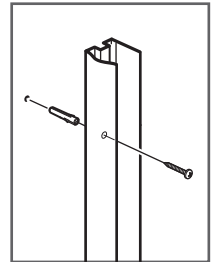
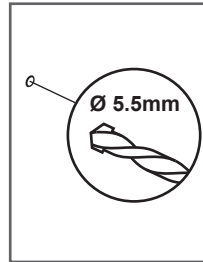
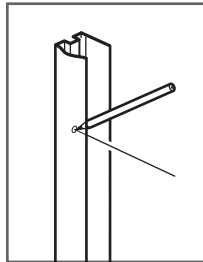
Step 1



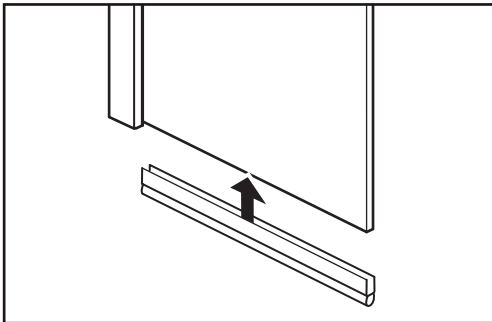
The bath screen should be positioned centrally or slightly toward the inside of the bath rim, as shown. Place the wall channel in position on the bath and against the wall, use a spirit level to ensure it is vertical and mark all 3 fixing holes onto the walls.

Drill holes in the positions marked using a 5.5mm masonry drill bit. Insert wall plugs (C) into all of the holes (beyond the thickness of the tile). Fix the wall channel to the wall using 3 x 38mm screws (B).

Note: Inject silicone sealant into the holes before inserting the screws to seal the holes.

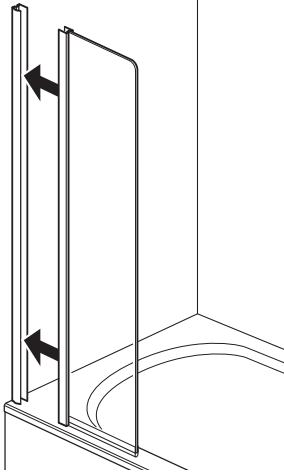


Step 2



If not pre-fitted, push fit the water seal (E) onto the bottom of the bath guard.

Step 3

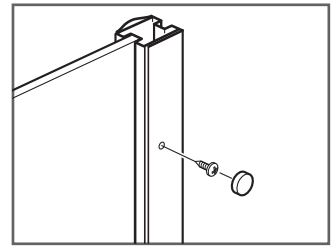
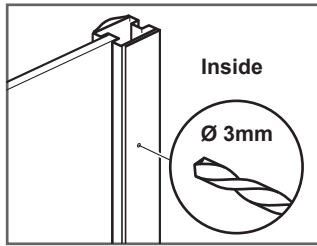


With help, push the assembled bath guard into the wall channel.

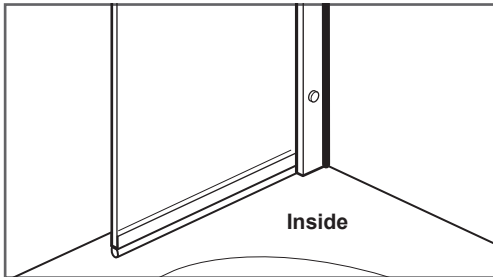
Check that the fitted water seal makes even contact along the bath rim. From inside, drill 3 holes through the wall channel into the bath guard (in the marked positions) using a 3mm drill bit.

Note: Stop drilling as soon as you feel the drill break through the first layers of aluminium.

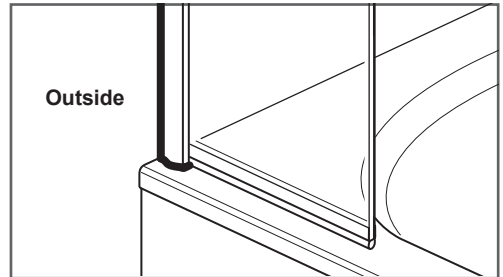
Fix using 3 x 10mm screws (A) and push on the screw covers (D).



Step 4



Sealing: On the inside and outside, run a line of silicone sealant from top to bottom down the joint between the wall channel and tiles.



Outside only: Run a line of silicone sealant along the joint between the bottom edge of the wall channel and bath rim.

simpsons 

For any further information please contact
Simpsons on: **01483 303711**

Or visit our web-site at:

www.simpsons-enclosures.co.uk

The manufacturer reserves the right to make
technical modifications without prior notice.