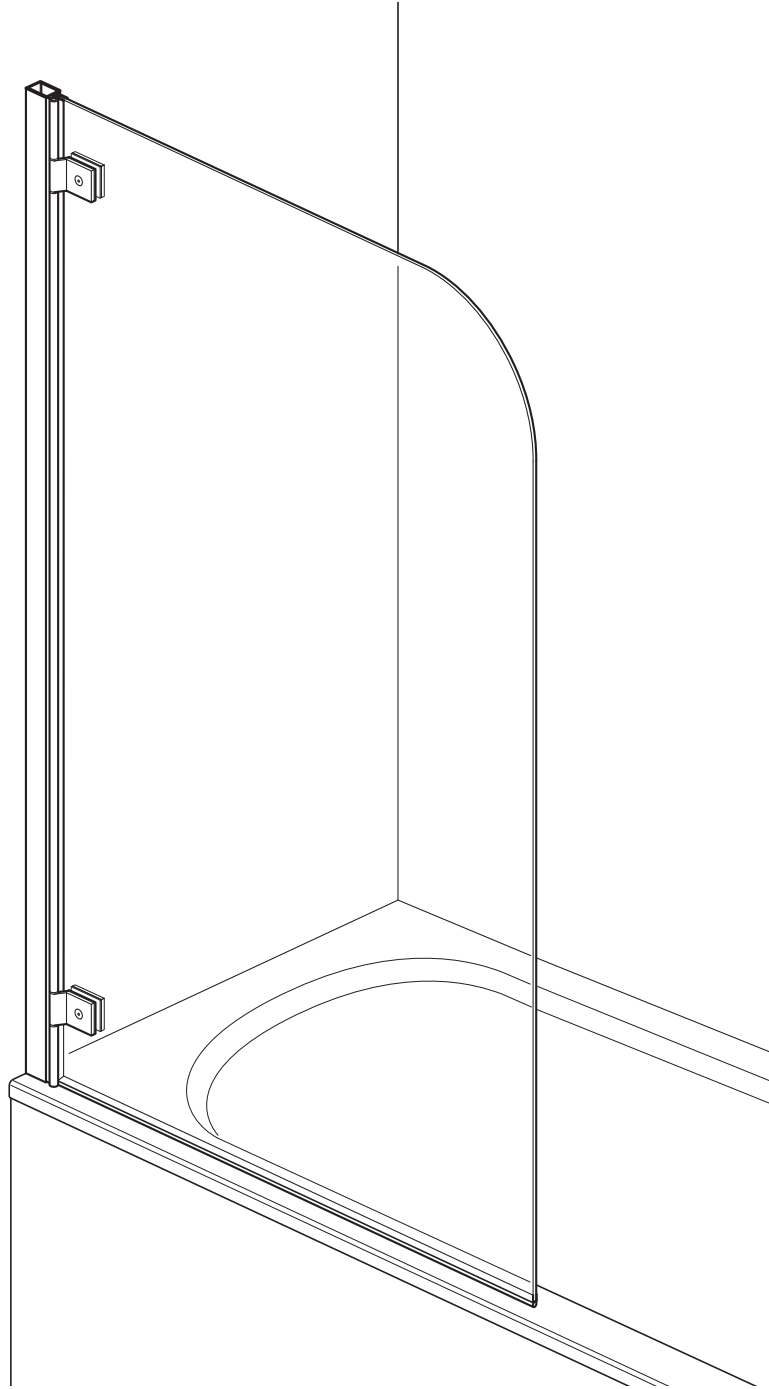


DELUXE BATH SCREEN

SUPREME



INSTALLATION INSTRUCTIONS

simpsons 

CONTENTS

IMPORTANT

Please read these instructions carefully before starting installation and keep in a safe place for future reference.

Check the contents of the pack carefully before installation. Simpsons will not be held responsible for any de-fit / re-fit costs where faulty product has been fitted.

If any fault is found with materials or workmanship, it must be reported immediately to the manufacturer. Remedial action will be taken, based on information received, on condition that: 1. Full details are supplied to the manufacturer; 2. The screen has not been modified or tampered with; 3. The manufacturer is informed of any damage/shortages prior to installation.

We do not accept responsibility for any problems that may occur through incorrect installation.

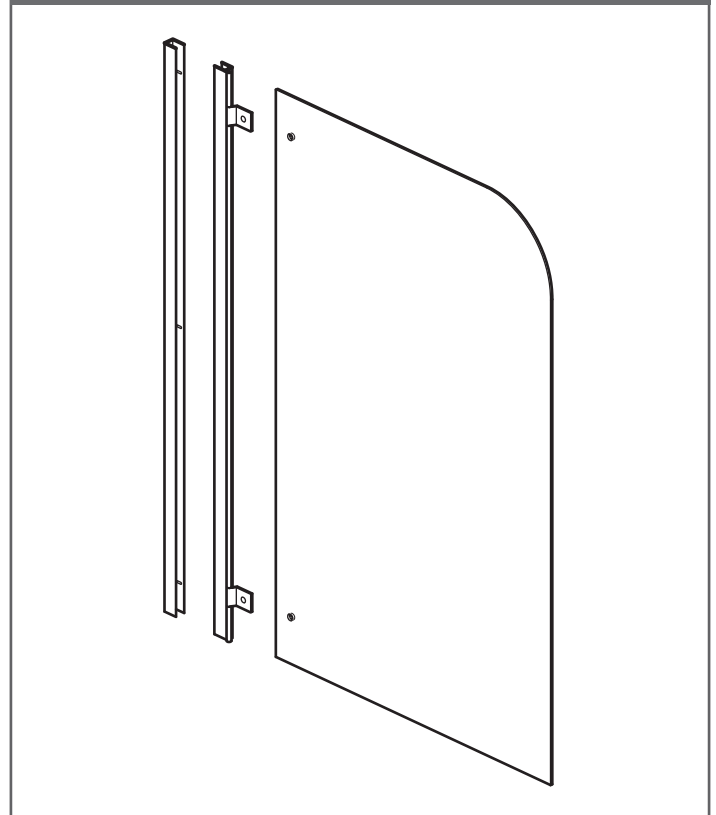
The success of the installation and operation of any bath screen is, of course, dependant on the squareness, alignment and construction of the walls to which fixing is to be carried out.

The deluxe bath screen is designed to open outwards only.

VERY IMPORTANT

You must complete all tiling and grouting, and the bath **MUST** be fully sealed to the tiles before installation. If you do not fit the bath screen onto a tiled surface, or seal the tiles to the bath before installation, water may soak into the wall behind the wall channel.

DELUXE BATH SCREEN



INSTALLATION

Advice and Safety

This Supreme bath screen is reversible for left or right hand fitting, simply turn the wall channel and hinge stile up side down.

The installation instructions are based on typical use and conditions.

These hints have been prepared for your guidance, you must exercise due care at all times.

It is recommended that 2 people carry out the installation of this bath screen.

Handle glass with care. Although the glass supplied is toughened safety glass (to EN12150), impacts can damage both the glass and the frame.

Warning! Please check for any hidden pipes or cables before drilling holes in the wall.

To stop the drill bit slipping, masking tape can be applied to the tiles when preparing the holes.

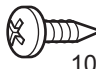

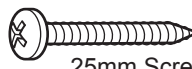
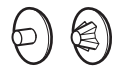

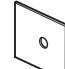

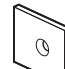

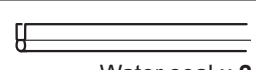

When using power tools always follow the manufacturers user instructions.

Leave the silicone sealant to dry for 24 hours before using the enclosure.

CARE AND CLEANING

Do not use solvents or abrasive materials or chemicals to clean the enclosure.

Only clean using soapy water and a soft cloth, rinse thoroughly afterwards.

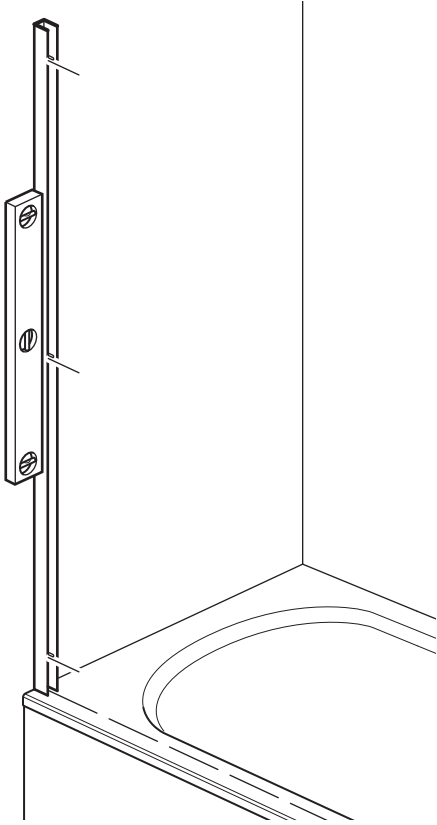
A		10mm Screw x 3	G		Nylon bush x 2
B		25mm Screw x 3	H		Cover cap x 2/2
C		Wall plug x 3	I		Foam hinge spacer x 2
D		Male connector x 2	J		Hinge cover x 2
E		Female connector x 2	K		Water seal x 2
F		Cover cap x 12			

Tools and equipment needed

Drill, 5.5mm Masonry drill bit, Phillips screwdriver, Spirit level, Pencil, Silicone sealant.

DELUXE BATH SCREEN

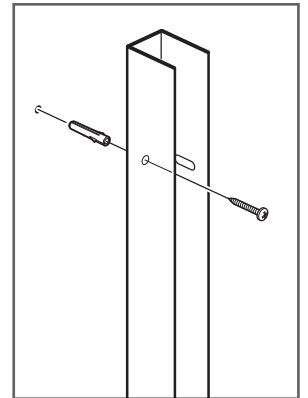
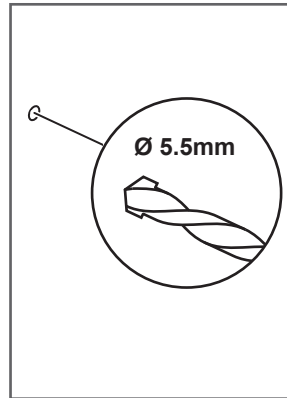
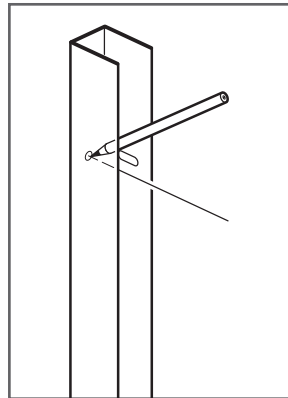
Step 1



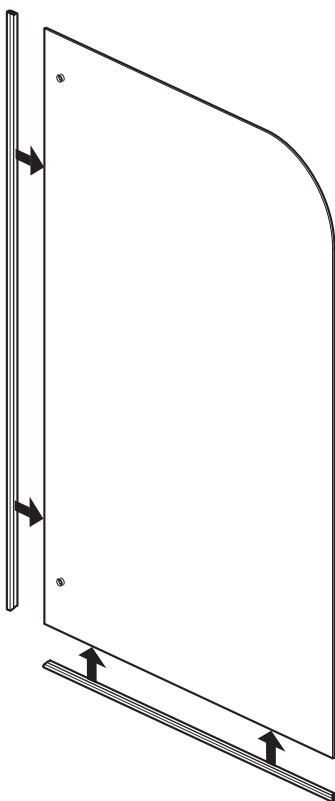
The bath screen should be positioned centrally or slightly toward the inside of the bath rim, as shown. Place the wall channel in position on the bath and against the wall, use a spirit level to ensure it is vertical and mark all 3 fixing holes onto the wall.

Drill holes in the positions marked using a 5.5mm masonry drill bit. Insert wall plugs (C) into all of the holes (beyond the thickness of the tile). Fix the wall channel to the wall using 3 x 25mm screws (B).

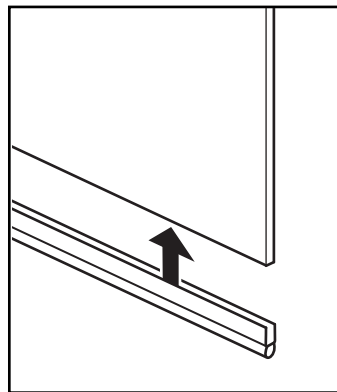
Note: Inject silicone sealant into the holes before inserting the screws to seal the holes.



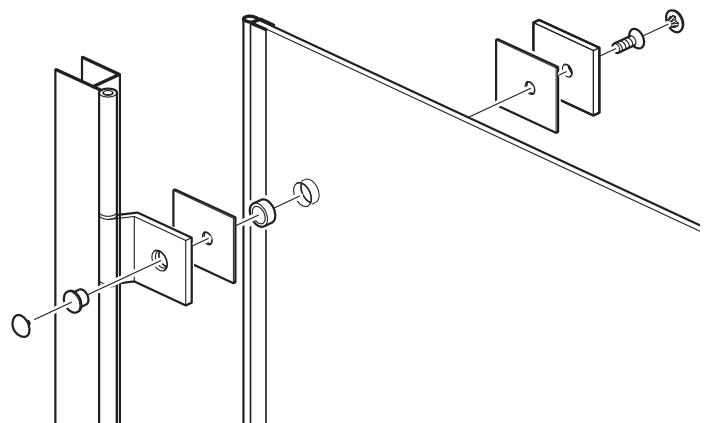
Step 2



Push fit both water seals (K) onto the bath screen, make sure that the mitred ends are pushed together in the corner.



Step 3

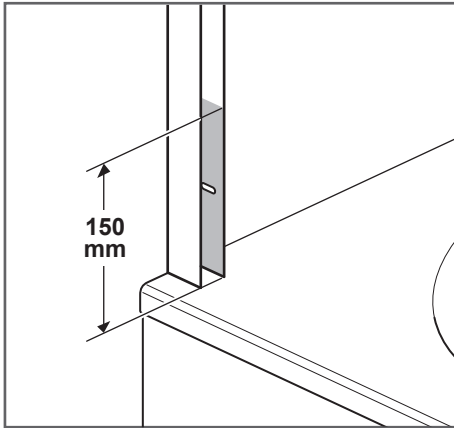


Attach the bath screen to the hinge stile (the fixed hinges should be on the outside of the bath).

Peel off the protective backing from the foam hinge spacers (I) and stick one to the back of each metal hinge and the others to the back of the metal hinge covers (J). **Note:** Make sure the holes line up.

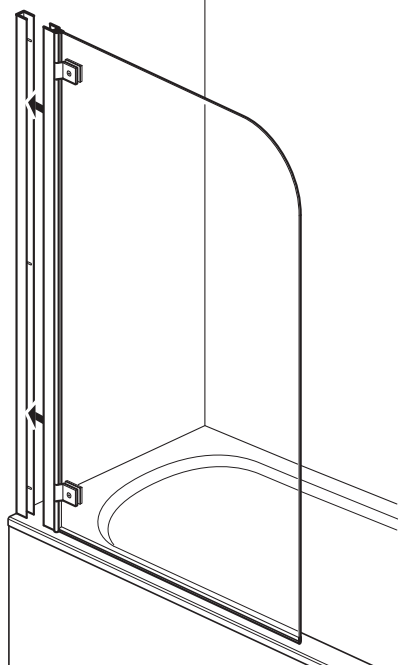
Place the nylon bushes (G) into the holes in the screen. Sandwich the screen between the hinges and hinge covers (longer side of hinge cover toward the hinge stile). Fix using the male (D) and female (E) connectors as shown, with female connector on the outside face. Push fit a corresponding cover cap (H) onto the male and female connectors.

Step 4

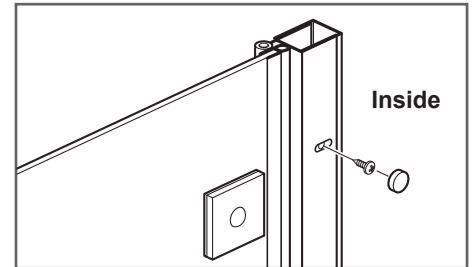


Apply silicone sealant inside the bottom of the wall channel, 150mm up as shown.

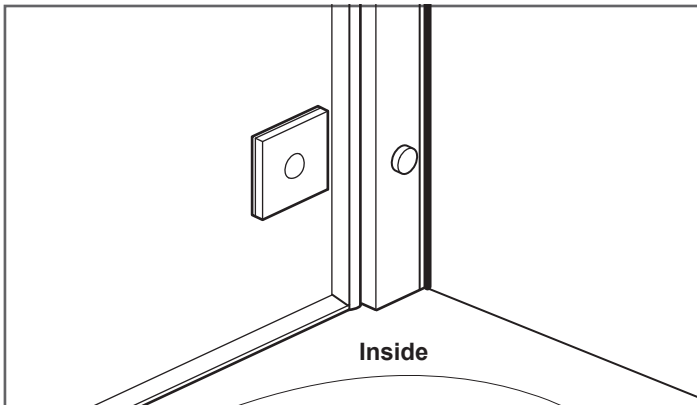
Step 5



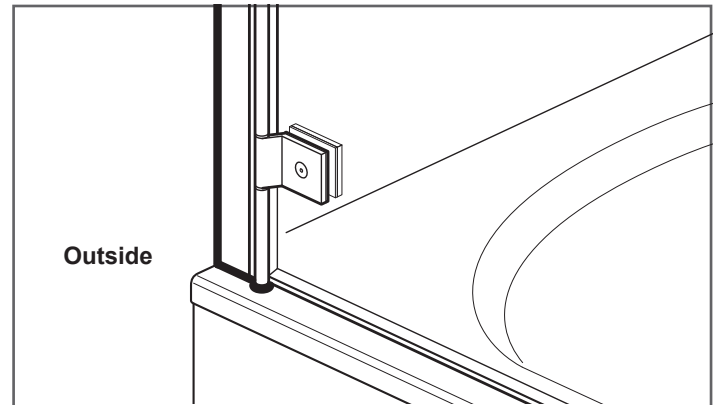
With help, push the assembled screen and hinge stile into the wall channel. Align the holes in the hinge stile with the slotted holes in the wall channel, fix securely in position using 3 x 10mm screws (A) and push on the screw covers (F). The slotted holes in the wall channel allow the screen to be adjusted until it is level and the bottom of the water seal makes even contact along the bath rim and still allows it to move as required.



Step 6



Sealing: On the inside and outside, run a line of silicone sealant from top to bottom down the joint between the wall channel and tiles.



Outside only: Run a line of silicone sealant along the joint between the bottom edge of the wall channel/hinge stile and bath rim as shown.

simpsons^x

For any further information please contact
Simpsons on: **01483 303711**

Or visit our web-site at:
www.simpsons-enclosures.co.uk

The manufacturer reserves the right to make technical
modifications without prior notice.