

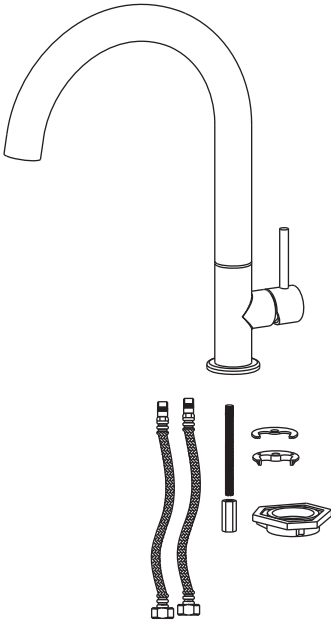
Installation Instruction

Single Handle Kitchen Faucet



Before Your Installation

Check to make sure you have the following parts indicated below:



Tools You Will Need



Adjustable wrench



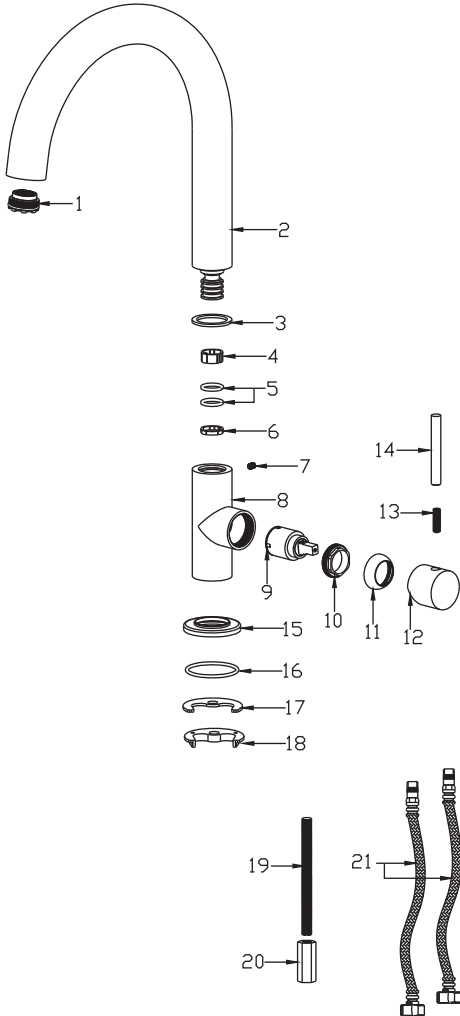
Spanner for aerator (supplied)



Spanner for body (supplied)

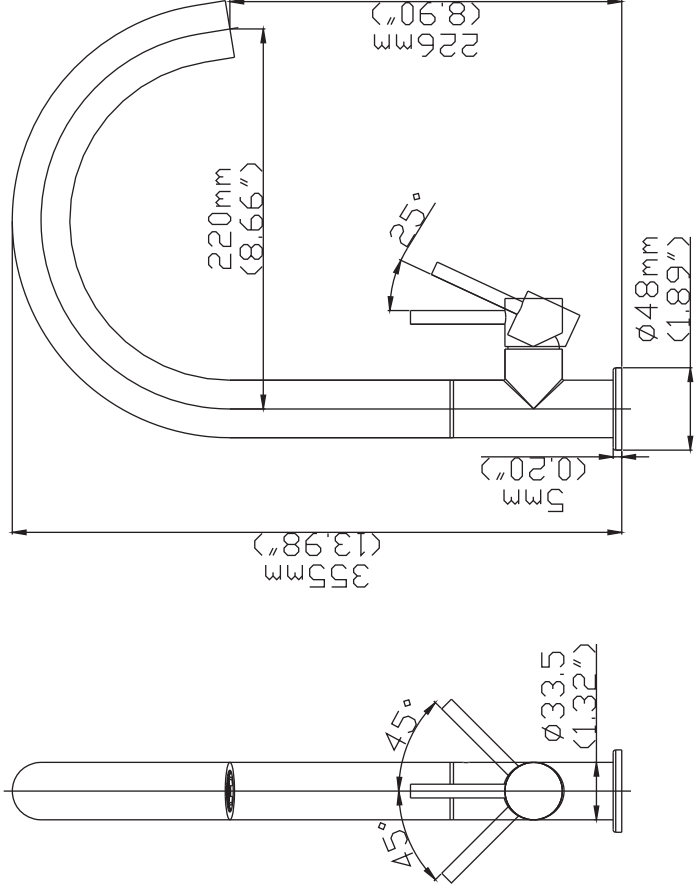
Replacement Parts

Keep this manual for ordering replacement parts.



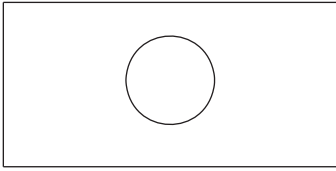
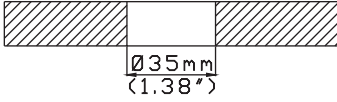
NO	NAME
1.	Aerator
2.	Spout
3.	Anti-friction gasket
4.	Plastic lock ring
5.	O-ring
6.	Plastic lock ring
7.	Faucet body
8.	Cartridge
9.	Screw
10.	Lock nut
11.	Cartridge holder
12.	Handle
13.	Screw
14.	Handle knob
15.	Pedestal
16.	O-ring
17.	Rubber gasket
18.	Stainless steel gasket
19.	Lock screw
20.	Lock nut
21.	Hose

Product Dimension Drawing

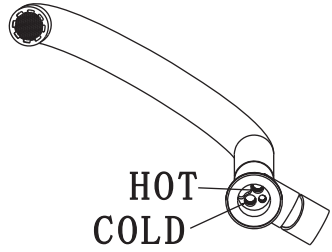


Faucet Installation Procedures

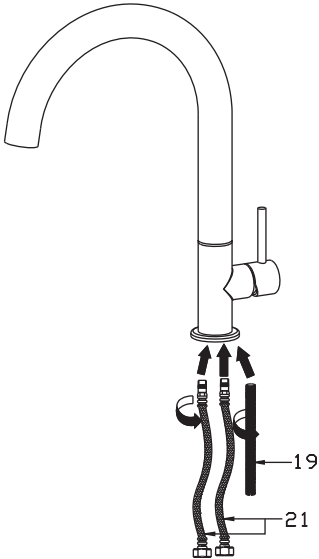
Step ①



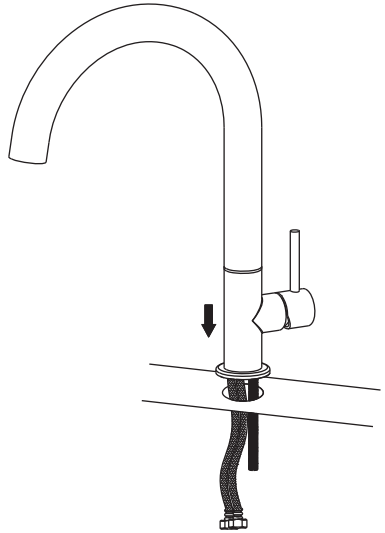
Step ②



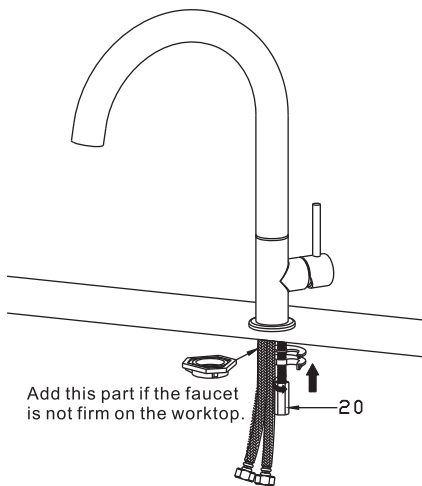
Step ③



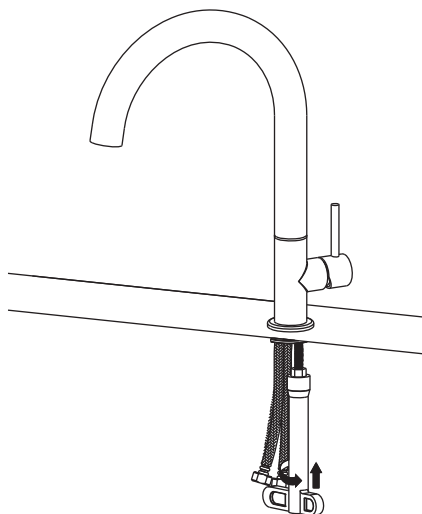
Step ④



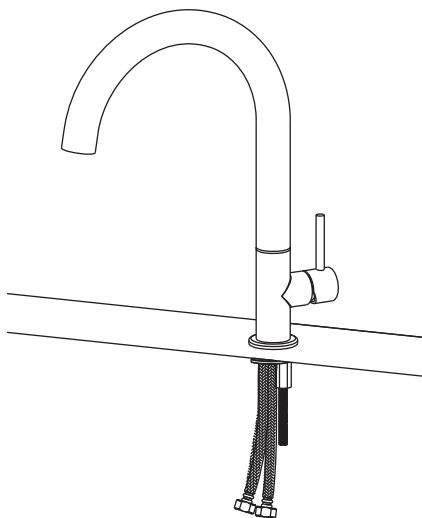
Step ⑤



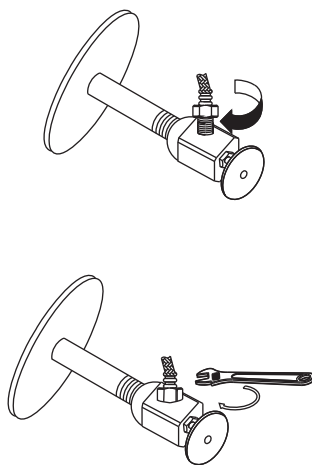
Step ⑥



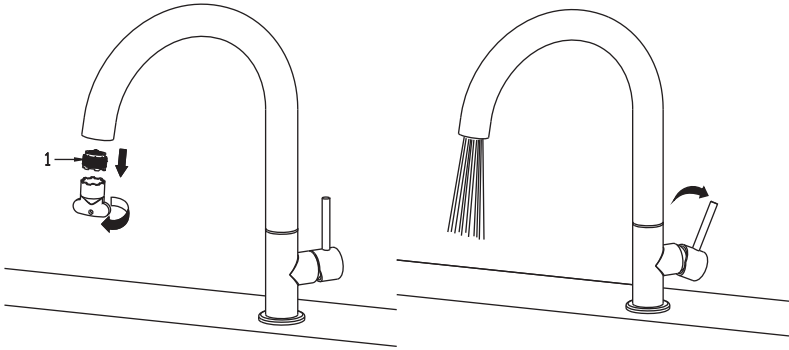
Step ⑦



Step ⑧



Step ⑨



Notice:

Please removing all of the sand, silt and other things from the water hose before assembling, to avoid blocking the faucet and effecting water rate. Please use the special tools to disassemble it and wash with pneumatic equipment, if the faucet blocked.